



sneak PREVIEW

OFC – San Diego, CA

March 13 - 15

An advanced look at the products, trends and technologies being presented.



OFC 2018: A Dynamic Global Gathering

OFC (the Optical Fiber Communication Conference and Exhibition) — to be held March 11-15 — is touted the largest global conference and exhibition for optical communications. For more than 40 years, it has brought together students, educators and technicians, as well as service providers, engineers and executive management. They hail from device and network manufacturing companies, fiber and cable suppliers, academia, investment and venture capital firms, enterprise, and government agencies.

Throughout the week there will be numerous special events, as well as networking opportunities, plenary and tutorial speakers, courses, workshops and a large exhibition.

[Read More](#)

sponsor

OFC
The World's Leading Optical Network and Communications Conference and Exhibition

11-15 March 2018
SAN DIEGO, CALIFORNIA, USA

[LEARN MORE](#)

Featured Exhibitors

New Test Equipment & Fiber Optic Components

From: OZ Optics Limited

OZ Optics is introducing a new line of test equipment and fiber optic components for 400 to 2000 nm. Components for OCT applications, high-speed polarization controller/scrambler, 330ps electrically/manual controlled optical delay line, fiber length meter, electrically controlled/manual variable broadband tunable filter, low-cost smart detector power meter head, polarization extinction ratio meter, backreflection meter, digital variable attenuators, bare fiber adaptor with magnetic clip and directional optical taps/power monitors.



Visit us: Booth 3523

[Request Info](#) [Visit Website](#)

Fastest WDM Wavelength Testing

From: Bristol Instruments Inc.

The 828 Series Optical Wavelength Meter employs a unique Fizeau etalon technology that results in the ability to measure wavelength to an accuracy of ± 0.3 pm at an unmatched measurement rate of 1 kHz. This enables greater manufacturing productivity by reducing test times from hours to minutes. A time resolution of 1 ms provides the most detailed wavelength characterization of tunable lasers.



Visit us: Booth 2530

[Request Info](#) [Visit Website](#)

Fujikura 70R+ Fusion Splicer

From: AFL

The Fujikura 70R+ ribbon splicer utilizes precision, fixed v-groove technology for splicing ribbon fiber up to 12 fibers, including single fibers. Incorporating the proven ruggedized features pioneered by Fujikura, the 70R+ has automated and enhanced user control features to increase splicing efficiency. A user programmable, automated wind protector expedites the splicing process by automatically closing to initiate the splice process, and opening upon splice completion.



Visit us: Booth 4239

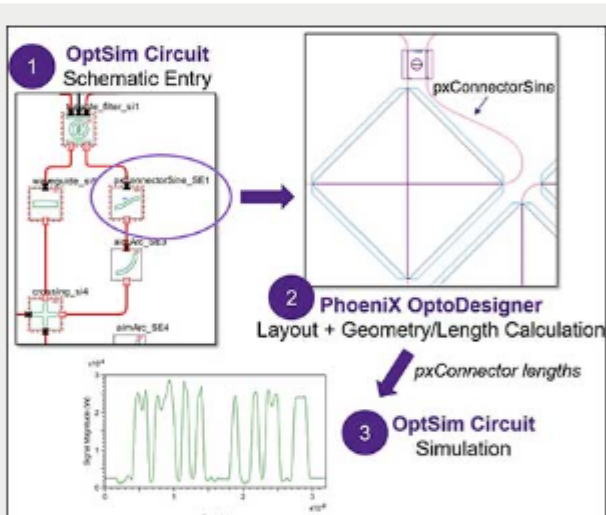
[Request Info](#) [Visit Website](#)

RSoft & PhoeniX Software Tools

From: Synopsys Inc., Optical Solutions Group

Accelerate photonic integrated circuit (PIC) design with Synopsys' OptSim Circuit & PhoeniX Software OptoDesigner:

- Complete PIC design flow from ideas to fabrication
- OptSim Circuit: Design and optimize PIC functionality
- OptoDesigner: Synthesize PIC layouts for fabrication



Visit us at OFC 2018 for a demo, or contact us for more information.

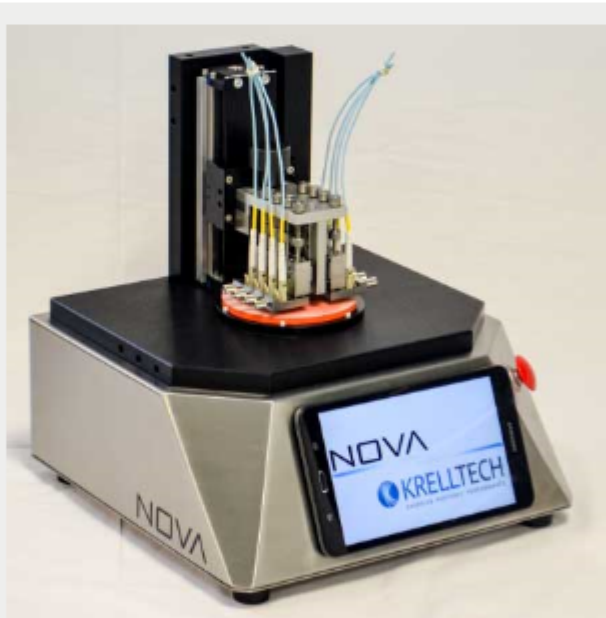
Visit us: Booth 1822 & 3735

[Request Info](#) [Visit Website](#)

Polish All Optical Components

From: KrellTech

Maximum flexibility for optical surface processing is now available with NOVA™. This system supports a variety of polishing applications from connectors to waveguides, and bare fibers to custom components. Wireless tablet control with a familiar Android interface provides the programming freedom required for R&D, with simplified step-by-step operation modes for manufacturing.



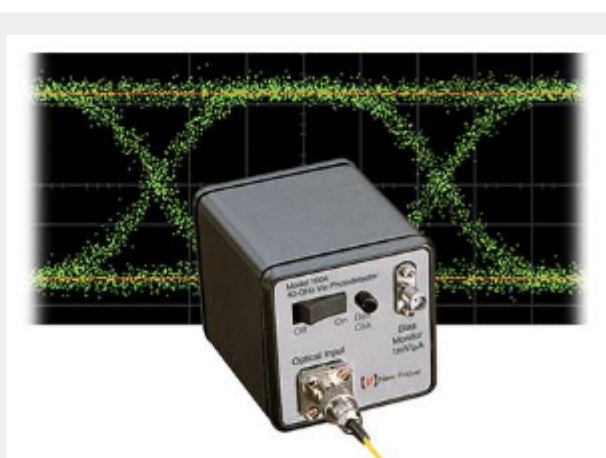
Visit us: Booth 2018

[Request Info](#) [Visit Website](#)

Optical-to-Electrical Converters

From: Newport Corporation

Our Optical-to-Electrical (O/E) converters are top of the line high-speed measurement devices for precise optical waveform measurements up to 45 GHz. These modules convert optical signals to ultra-clean low-noise electrical signals. We have lab products, which can be used to provide every high-speed instrument in your lab an optical input, and OEM products, which can be built to customer specifications. The sensors can be used in Telecom/Datacom, Lidar, AR/VR, Long-haul communications, etc.



Visit us: Booth 2331

[Request Info](#) [Visit Website](#)

819D-IS-5.3 Integrating Sphere

From: Newport Corporation

The 819D-IS-5.3 Integrating Sphere is our new 5.3 inch, PTFE based, 4-port integrating sphere, replacing the 3-port 819D-SL-5.3. Its damage threshold is 5.0 J/cm². The diameter of the 0° port is 2.5 inch, but the sphere comes with a 1 inch port frame reducer pre-mounted. It includes a baffle between the 90° and 180° ports, which prevents direct illumination from the light source to the detector port.



Visit us: Booth 2331

[Request Info](#) [Visit Website](#)

PHOTONICS MEDIA



LOOK FOR PHOTONICS SPECTRA MAGAZINE

Photonic Spectra magazine will be available in the publication bins at OFC 2018. Look for the latest issue which includes a special section on Fiber Optics. Two great articles cover a discussion of the need for advances in optical hardware. The first relates to the limits in the information-carrying capacity of optical fibers. Following up is the second article which delves into how dark fiber could soon function as sensor arrays for seismic monitoring and detecting other subsurface activity.

Pick up a copy at the show and visit us online at www.photonics.com to subscribe or renew for FREE.

Questions: info@photonics.com

Unsubscribe | Subscribe | Subscriptions | Privacy Policy | Terms and Conditions of Use

© 1996 - 2018 Laurin Publishing. All rights reserved. Photonics.com is Registered with the U.S. Patent & Trademark Office. Reproduction in whole or in part without permission is prohibited.