

Eagle

Deep Cooled Vacuum CCD

2048 x 2048 • 75kHz • High resolution scientific imaging •



Key Features and Benefits

The BEST CCD on the market today!

- **Lifetime vacuum guarantee.**
Protection and integrity of the sensor
- **Extremely low dark current.**
Deep cooled to $> -110^{\circ}\text{C}$ delta enables long exposure times
- **Back illuminated 4MP sensor from e2v.**
Enables large field of view imaging
- **13.5 μm x 13.5 μm pixels.**
Enables large pixel well depth and high dynamic range
- **High QE: >90% @ 525nm and 50% @ 380nm & 720nm.**
Optimum photon collection



Resolution	2048 x 2048
Dark Current	0.0001 e/p/s
Full Well Capacity	100,000e-
Readout Noise	2.3e-rms
Cameralink	16bit



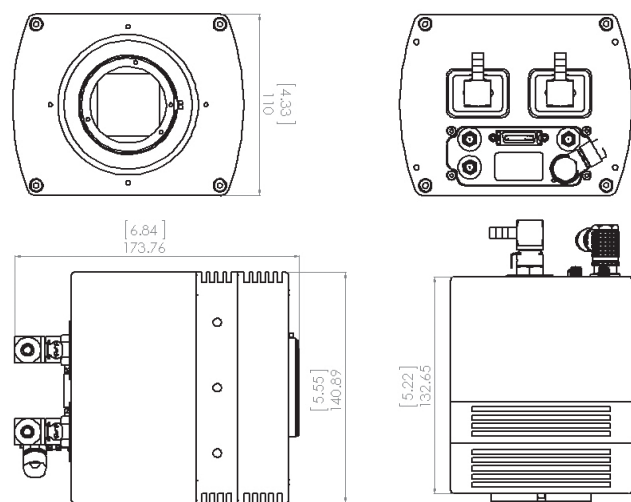
..... Capturing Tomorrow

Specification for Eagle V CCD

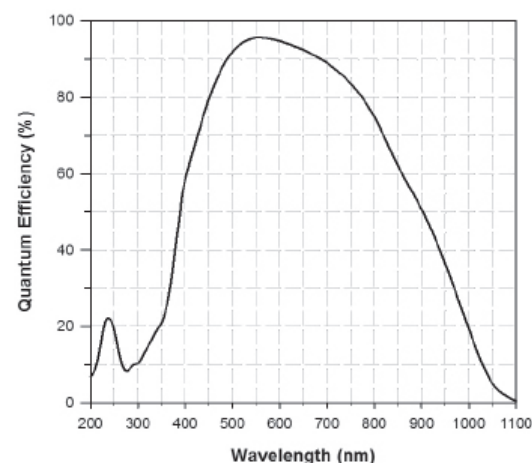
Sensor	E2V CCD42-40 Back Illuminated, AIMO
Active Pixel Array Size	(2048 × 2048) pixels
Pixel Size	13.5µm × 13.5µm
Active Area	27.65mm × 27.65mm (39.10mm diagonal)
Binning	Programmable, up to 64×64 pixels
Full Well Capacity	100 000 e-
Non-Linearity	< 1%
Readout Noise	@ 75kHz pixel readout rate, 2.3 e- rms @ 2MHz pixel readout rate, 9.0 e- rms
Binned Read Noise	@75kHz pixel readout rate, 16×16 binning < 5.0 e- rms
Peak Quantum Efficiency (QE)	> 90% @ 550nm
Spectral Response	300nm-1050nm
Dark Current @ minimum temperature	0.0001 e-/pixel/second
Shutter	Mechanical, aperture \square = 45mm
Cooling	Active, $\Delta T > 110^{\circ}C$
Cooling Method	TEC with liquid (utilizing PentaVac™ Technology)
Lens Mount	Nikon F mount (others on request)
Synchronization	Trigger IN and OUT – TTL compatible
Digital Output	16-bit
Data Interface	CameraLink (base)
Power Supply	12V DC $\pm 10\%$
Total Power Consumption	TEC OFF < 9W TEC ON < 100W
Operating Temperature Range	-20°C to +55°C
Storage Temperature Range	-40°C to +70°C
Dimensions	141mm x 133mm x 110mm
Weight (excluding lens)	3.0kg [6.6lb]

Raptor Photonics Limited reserves the right to change this document at any time without notice and disclaims liability for editorial, pictorial or typographical errors.

Dimensions



Quantum Efficiency



Applications

- Astronomy
- Bioluminescence
- Fluorescence imaging / spectroscopy
- Luminescence
- Xray

Ordering Information

Camera

Eagle Scientific CCD 4MP cooled digital B/W camera EA4240V-CL

Eagle Power Supply cable EA4240V-PSU

Optional Accessories

EPIX(R) EB1 base CL card RPL-EPIX-EB1

EPIX(R) XCAP STD software RPL-XCAP-STD

CameraLink Cable, 2m² RPL-CL-CBL-2M

OASIS Circulating Chiller RPL-AMS-OASIS160

Water cooling system RPL-WCUK-WCS

Water tubing for Eagle (3M) M-M RPL-WTUBE-EAGLE

Optical lenses³ RPL-xx-xxxx

Note2: Longer CL cable available
 Note 3: Recommended coolant flow rate >0.5liters per min. & cooling capacity >100W @ 20°C)
 Note 4: Please consult us to check our range of lenses

Demo is available on request.
 Pricing AOR subject to volumes.

Document #: EA4240V-CL 0115R1