



mini-Nyx HOT MW

Advanced Thermal Imaging Camera 640 x 512 MWIR

- OEM large format, high resolution camera
- Higher performance in demanding environments
- HOT Type II Strained Layer Superlattice (T2SLS) or HOT Mercury Cadmium Telluride (MCT) MWIR cooled IRFPA
- Superior temperature sensitivity
- State of the art "HOT" operating temperature IRFPA for longer cooler life



mini-Nyx HOT MW

AIRS Delivers Advanced Thermal Imaging

AIRS' infrared cameras offer large format, high-performance LWIR, MWIR and SWIR imaging utilizing state of the art MCT and T2SLS IRFPAs. The sensitivity and resolution of the Nyx series can meet the most demanding imaging needs. State of the art technologies, designs, and vertically integrated manufacturing allow AIRS to provide system integrators advanced, mission-critical imaging capability.

IR FOCAL PLANE ARRAY

Sensor Type	HOT Type-2 SLS or HOT MCT
Array Format	640 (h) x 512 (v)
Pixel Pitch	15 μ m
Spectral Band	3 - 5 μ m
Sensitivity NETD	28 mK @ f/4.0 typical

OPTICAL

Lens - EFL, FOV, F/#	25 mm, 22°, f/4.0
Focus Range	1m - ∞
Imaging Spectral Band	MWIR (3.4 - 5 μ m)

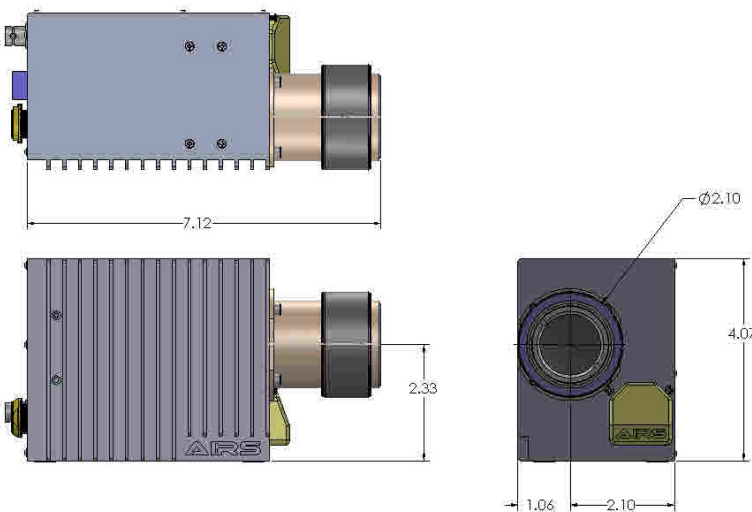
COOLER - SPLIT LINEAR

MTTF	> 20,000 hours
Cool Down Time @ 25C	6 minutes to 130°K

VIDEO

Frame Rate	60 Hz
Analog Output	NTSC
Digital Output	Camera Link or optional Gig-E

DIMENSIONS



COMMUNICATION

Serial Interface	RS-232/RS-422/USB
------------------	-------------------

ELECTRICAL

Voltage	12 VDC
Power Dissipation @ 25°C	10 Watts typical steady state

MECHANICAL

Dimensions (LxWxH)	7.12 x 3.16 x 4.07 in.
Weight	2.8 lbs.
Camera Mount	standard 1/4"-20

ENVIRONMENTAL

Operating Temperature	-40°C to +50°C
Storage Temperature	-50°C to +70°C

IMAGERY DISPLAY OPTION

IRIG-B Date/Time Stamp

DETECTION (km)

20° FOV, f/4; 23km rural visibility



1.0



2.8



5.8

www.go-airs.com/dri



One Wall Street
Hudson, NH 03051

(662) 626-2477
www.go-airs.com

Infrared camera technology is controlled under the International Traffic in Arms Regulations (ITAR) and may not be sent outside the US, or made available to a foreign person wherever located, except in accordance with the ITAR and as approved by the US Government. We follow the ITAR and so must you.