



Nyx HD-L

Advanced Thermal Imaging Camera HD 1024 x 720 LWIR

- OEM large format, high resolution camera
- Higher performance in demanding environments
- Type II Strained Layer Superlattice (T2SLS) LWIR cooled IRFPA
- Superior temperature sensitivity
- Designed for ease of integration into gimbal payloads, multi-sensor platforms and camera systems
- First purpose-built tactical T2SLS camera

Nyx HD-L

AIRS Delivers Advanced Thermal Imaging

AIRS' infrared cameras offer large format, high-performance LWIR, MWIR and SWIR imaging utilizing state of the art MCT and T2SLS IRFPAs. The sensitivity and resolution of the Nyx series can meet the most demanding imaging needs. State of the art technologies, designs, and vertically integrated manufacturing allow AIRS to provide system integrators advanced, mission-critical imaging capability.

IR FOCAL PLANE ARRAY

Sensor Type	Type-2 SLS
Array Format	1024 (h) x 1024 (v)
Pixel Pitch	18 μ m
Spectral Band	Broadband (3 - 10 μ m)
Sensitivity NETD	25 mK @ f/3.0

OPTICAL

Baseline Lens - EFL, FOV, F/#	176mm, 6°, f/3.0
Focus Range	5m - ∞
Imaging Spectral Band	LWIR (7.5 - 10 μ m)

COOLER - SPLIT LINEAR US ARMY B-2 QUALIFIED

MTTF	> 10,000 hours
Cool Down Time @ 25C	8 minutes to 77°K

VIDEO

Frame Rate	60 Hz
Analog Output	SMPTE 720 (1024 x 720) NTSC or PAL
Digital Output	Ethernet H.264, 14 bit Camera Link or GIG-E

COMMUNICATION

Serial Interface	RS-232/RS-422/USB
------------------	-------------------

ELECTRICAL

Voltage	12 VDC and 28 VDC
Power Dissipation @ 25°C	23 Watts typical steady state

MECHANICAL (WITH 6° LENS)

Dimensions (LxWxH)	11.33 x 3.58 x 5.15 in.
Weight	5.7 lbs.
Camera Mount	standard 1/4"-20

ENVIRONMENTAL

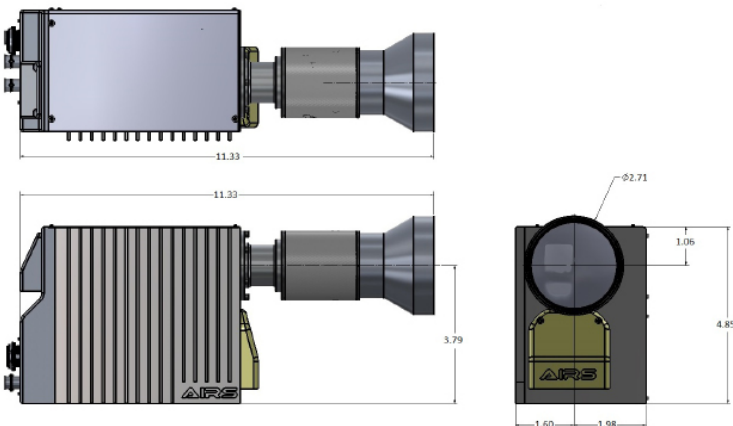
Operating Temperature	-40°C to +50°C
Storage Temperature	-50°C to +70°C

OBJECTIVE LENS OPTIONS

18 mm focal length	40° FOV
527 mm focal length	2° FOV
Other focal lengths	Available

IMAGERY DISPLAY OPTION

IRIG-B Date/Time Stamp



DETECTION (km)

6° FOV, f/3; 23km rural visibility



5.2



14.3



19.7

www.go-airs.com/dri



One Wall Street
Hudson, NH 03051

(662) 626-2477
www.go-airs.com

Infrared camera technology is controlled under the International Traffic in Arms Regulations (ITAR) and may not be sent outside the US, or made available to a foreign person wherever located, except in accordance with the ITAR and as approved by the US Government. We follow the ITAR and so must you.