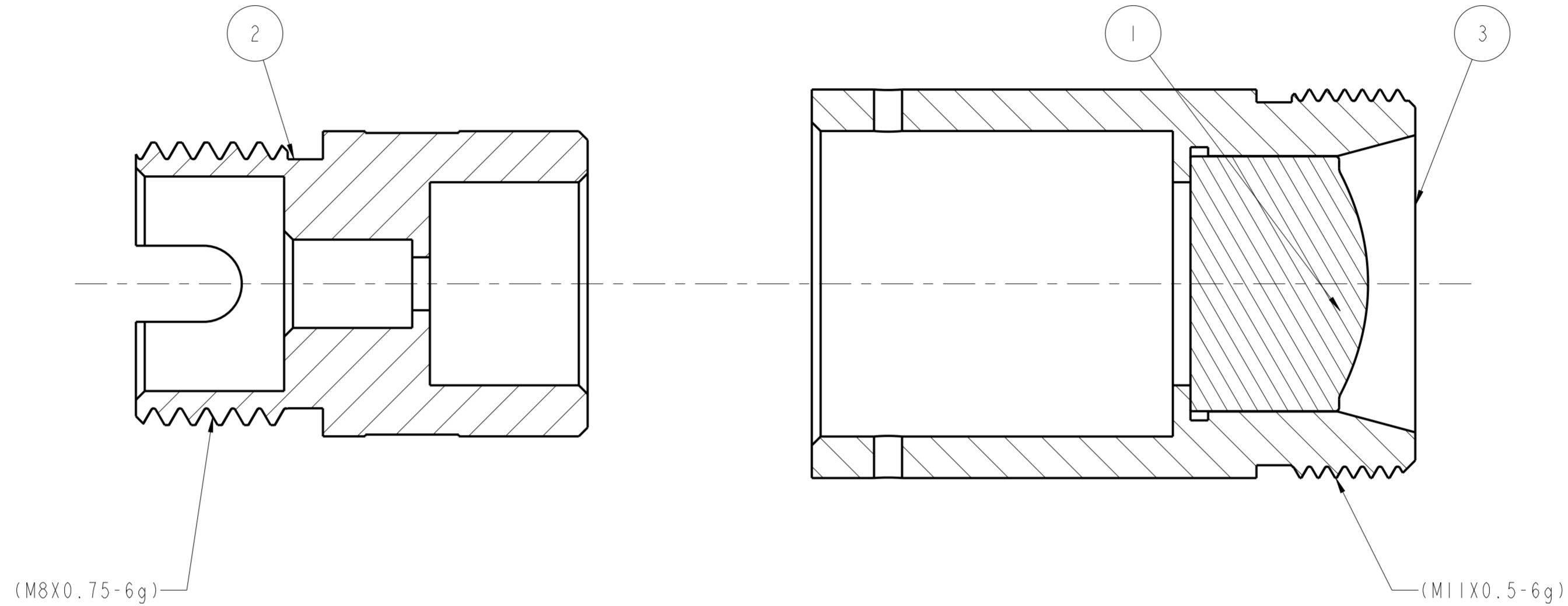


NOTES: (UNLESS OTHERWISE SPECIFIED)

1. ASSEMBLE PER LIGHTPATH WORK INSTRUCTION: COL-7.5-149.
2. KIT PROVIDED WITH ADAPTOR SEPARATE FROM ASSEMBLY. LENS EPOXIED TO HOLDER ONLY.

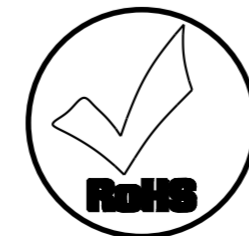
REVISION HISTORY				
REV	DCO	DESCRIPTION	DATE	INITIALS
A	3349	INITIAL RELEASE	01/04/13	AS
B	4156	ADD M COATING; DELETE SPEC COLUMN	05/08/15	EF



SECTION A-A

PART NUMBER	COATING	λ	COATING SPECIFICATION DOCUMENT
354220-FCPC-A-KIT	A	400-600nm	9000096
354220-FCPC-B-KIT	B	600-1050nm	9000098
354220-FCPC-C-KIT	C	1050-1600nm	9000099
354220-FCPC-M-KIT	M	700-900nm	9000101

3	6100054	CCA HOLDER	1
2	6500122	ADAPTOR, FC CONNECTOR	1
1	354220X-00	LENS CODE 354220	1
ITEM	PART #	DESCRIPTION	QTY
UNLESS OTHERWISE SPECIFIED DIMENSIONS ARE IN MM. DECIMAL TOLERANCES ARE: .X ± 0.25 .XX ± 0.10 .XXX ± 0.025 .XXXX ± 0.013 ANGLES: ± 0.5°		 PROPRIETARY INFORMATION THIS DOCUMENT CONTAINS PROPRIETARY INFORMATION OF LIGHTPATH TECHNOLOGIES AND IS NOT TO BE DISCLOSED OR REPRODUCED IN WHOLE OR PART, OR USED FOR MANUFACTURING FOR ANYONE OTHER THAN LIGHTPATH TECHNOLOGIES WITHOUT ITS WRITTEN CONSENT. NO RIGHT IS GRANTED TO DISCLOSE OR USE ANY INFORMATION CONTAINED IN SAID DOCUMENT.	
DRAWN AS		TITLE CONNECTORIZED COLLIMATOR KIT - FCPC	
MATERIAL N/A		SIZE A2	DWG NO 354220-FCPC-X-KIT
SOFTWARE Pro/ENGINEER		SCALE: 8.00	THIRD ANGLE PROJECTION
		SHEET 1 OF 1	REV B



REV B
 SH I
 DWG NO 354220-FCPC-XXXX