

Thermo Scientific

CID8825AX1

KiloRAD PTZ
Radiation Tolerant Color Camera

The Thermo Scientific CID8825AX1 KiloRAD PTZ radiation tolerant camera features integrated Pan and Tilt functions with a 5X zoom lens, and Low Noise Preamplifier Per Pixel Radiation Hardened Charge Injection Device (CID) imager for use in radiation environments.

Video is available via BNC coax connection or UTP. PTZ operations are externally controlled using controllers conforming to standard CCTV Pelco D, P, with RS232 compatibility.

The versatile mounting bracket allows for through-wall wiring, or mounting to a double gang electrical box for effortless wall mounting applications. Optional ceiling mounts are available for hard or suspended ceiling configurations.



- . COLOR CID (Charge Injection Device) Radiation Hardened Imager
- . Exceptional signal to noise and sensitivity.
- . 1×10^5 Rads Total Dose (gamma)
- . Excellent image at 1×10^4 rads/hr.
- . 5X zoom lens, 16mm - 80mm
- . Autofocus
- . Auto Gain Control
- . Automatic White Balance

The CID8825AX1 is the only radiation tolerant solid state Color camera with integrated PTZ designed specifically for imaging in radiation environments.

The unique radiation tolerant CID based camera features an integrated motorized lens with externally controlled pan, tilt, and zoom operation, with radiation tolerance to at least 1×10^5 rads total dose and low noise operation in flux rates up to 1×10^4 rads/hr.

Video output is standard NTSC format via BNC connector or UTP.

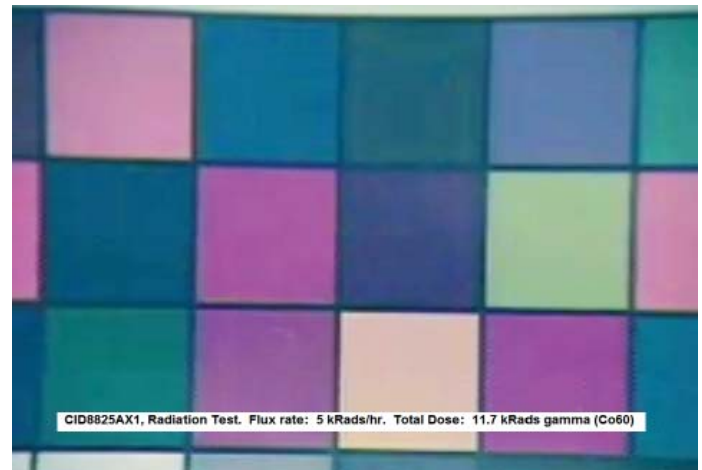
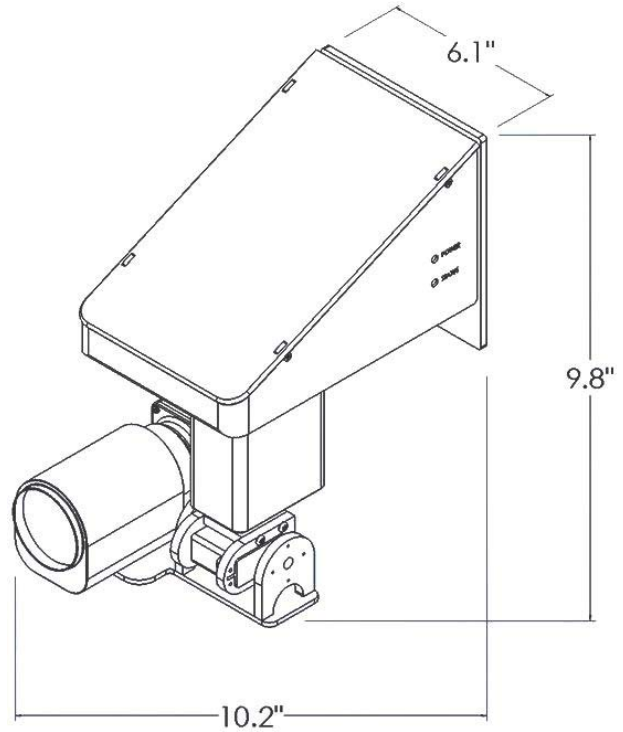
The microlensed radiation hardened PPP (Preamplifier Per Pixel) CID imager technology allow exceptional signal to noise with sensitivity never before available with radiation tolerant cameras.

Tested and proven in gamma radiation with high total dose capabilities, and minimal disruption due to single event transfer inefficiencies, CID based cameras allow significant improvement in operation when compared to CCD and CMOS based cameras operating in radiation environments.

Versatile configurations with simple installation and operation allow them to be well suited to indoor applications such as Patient monitoring, Inspection, Robotic handling, Hot cell monitoring, and Research.

Image Format	730H x 512V
Total Pixels	710H x 484V
Pixel Size	18.0 x 16.4 micron
Full Well Capacity	>100,000 electrons
Active Area	13.6 mm diagonal
Optical Format	1"
Zoom Lens	5X optical, 16mm - 80mm 8X with digital zoom
Scanning Format	NTSC, 30FPS, Interlace
Resolution	>380 TVL (horizontal)
S/N Ratio	-45db typ. signal/RMS 10KHz - 4.2MHz, with 3.58MHz trap
Sensitivity	10 lux (for min. video) 20 lux (for maximum output), T=2850K
Composite Video	1V p-p, terminated into 75 ohm
Black Level	+50mV (Auto Clamp)
White Level	+700mV
Sync Level	-300mV
Input Voltage	
Camera	+24VDC Nominal
Input Current	1.2A avg.
Interface	
Connectors	J1 RJ45-10 J2 Analog Video
PTZ Controls	Pelco D, P, or RS232
Baud Rate	2400bps
Preset address	1 - 16 (User Configurable)
Pan Angle	180 degrees (+90 degrees, -90 degrees)
Tilt Angle	90 degrees (+45 degrees, -45 degrees)
Pan Speed	20 degrees / second
Weight	1.9kg (67oz)
Temperature Range	
Operating	0C to 40C case
Storage	-25C to 60C
Humidity	0-95% non condensing

The compact and lightweight CID8825AX1 COLOR solid state PTZ video camera is part of a proven line of radiation tolerant cameras and sensors whose applications span a full spectrum of industries and applications. Thermo Scientific - CIDTEC Cameras & Imagers is an industry leader in the design and manufacture of CID based cameras, and has been in business for over 25 years with imaging products in scientific, machine vision, research, aerospace, medical, and radiation hardened markets.



thermoscientific.com

© 2016 Thermo Fisher Scientific Inc. All rights reserved. All trademarks are the property of Thermo Fisher Scientific and its subsidiaries. Specifications, terms and pricing are subject to change. Not all products are available in all countries. Please consult your local sales representative for details.



Thermo Scientific
CIDTEC Cameras & Imagers
Inorganic Mass Spectrometry & Trace Elemental Analysis

Tel: (315) 451-9410
Fax: (315) 451-9421

Email: sales.cidtec@thermofisher.com
Product Line Web: <http://www.thermoscientific.com/cidtec>

Thermo Fisher Scientific
101 Commerce Blvd.
Liverpool, NY 13088 U.S.A.

Thermo
SCIENTIFIC

A Thermo Fisher Scientific Brand