

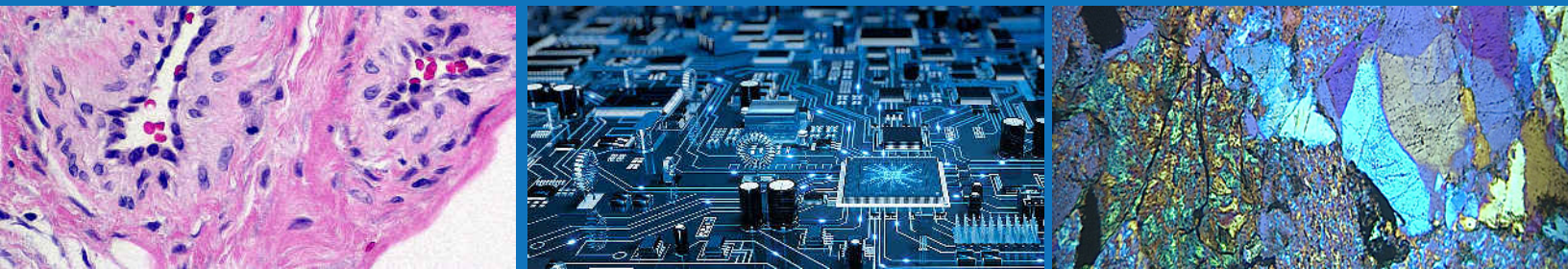
OPTRONICS®

RINCON™ HD ONE

Microscope Camera Package

Real-Time 60 fps One-Piece CMOS High Definition Camera Package

A CMOS-based high definition color camera delivers true progressive scan real-time video with the ability to send video frames directly to your computer via USB, with simple one-click Rincon HD Capture Software.



Package Includes:

- 1-CMOS HD Camera
- C-Mount Optical Adapter
- RINCON HD Capture Software

Features

- Ultra compact (approx. 1.75" x 1.75" x 3")
- Outputs full 1920 x 1080 pixels at 60 frames per second
- Output selectable between 1080p, 1080i, and 720p
- Utilizes 1/3" CMOS 2.1 megapixel HD sensor
- On-screen menu
- Weighs only 4.3 oz. (without lens)
- Digital DVI
- Auto and manual white balance
- Auto and manual electronic shutter
- C-Mount
- USB 2.0 port outputs video clips and eliminates need for fram grabber

Applications

- Scientific imaging/diagnostics
- Microscopy
- Industrial



RINCONTM HD ONE Microscope Camera Package

TRUE 1080p High Definition CAMERA with USB and DVI Outputs

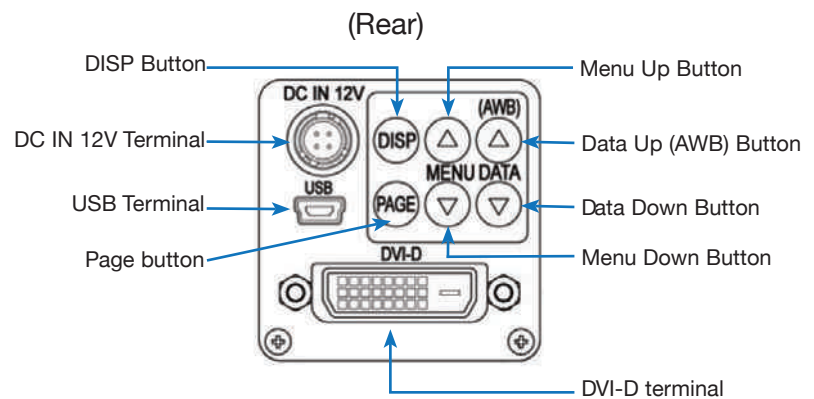
PERFORMANCE SPECIFICATIONS

Power Requirements	12 VDC \pm 10% DCIN connector (4pin)
Power Consumption	Approx. 4 watts
Image Sensor	1/3" progressive scan CMOS
Output Pixels	Horizontal: 1920, Vertical: 1080
Scanning System	DVI output Digital output (DVI-D connector output)
Sync / Freq	Progressive / Interlace
	1080p/59.94Hz H:67.43kHz, V:59.94Hz
	1080p/50Hz H:56.25kHz, V:50Hz
	1080i/59.94Hz H:33.72kHz, V:59.94Hz
	1080i/50Hz H:28.13kHz, V:50Hz
	720p/59.94Hz H:44.96kHz, V:59.94Hz
	720p/50Hz H:37.50kHz, V:50Hz
	USB output (UVC1.1 compliant YUV 4 :2 :2)
	Non-compressed
	1920 x 1080 (approx. 5fps)
	1280 x 720 (approx. 10fps)
Sensitivity	f/4 standard (2000 lux, 3000K)
Mn. Illumination	8 lux standard (50 IRE, f1.4, gain + 18 dB)
Frame Rate (DVI)	30 fps (1080i), 60 fps (1080p/720p)
Frame Rate (USB)	5 fps (1080 mode), 10fps (720 mode)
Dimensions (excluding protrusions)	44(W) x 44(H) x 78(D) mm (1.73"(W) x 1.73"(H) x 3.07"(D))
Weight	148 grams (4.3 oz.)
Operating Temperature	0°C to + 40°C (32°F to 104°F)
Storage Temperature	-20°C to + 60°C (-4°F to +140°F)
Humidity	90% or less (non-condensing)

SPECIFICATION - FEATURES

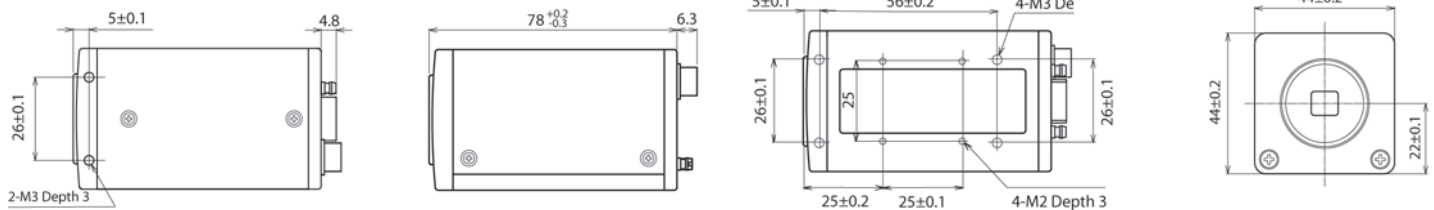
Shutter	Manual – Off (1/60s /1/50s), 1/100s, 1/250s, 1/500s, 1/1000s, 1/2000s, 1/4000s Auto Level – range of -100 to 100 Synchronized Scan – Set by horizontal scanning time
Gain	MANUAL (manual), OFF (0dB)
White Balance	AWB (Automatic White Balance) ATW (Automatic Tracking White Balance) Manual (Manually Adjustable)
Gamma	OFF / MANUAL : -10 to +10
Scene File Setting	5 Files A/B/C/D/E

Design and specifications are subject to change without notice.



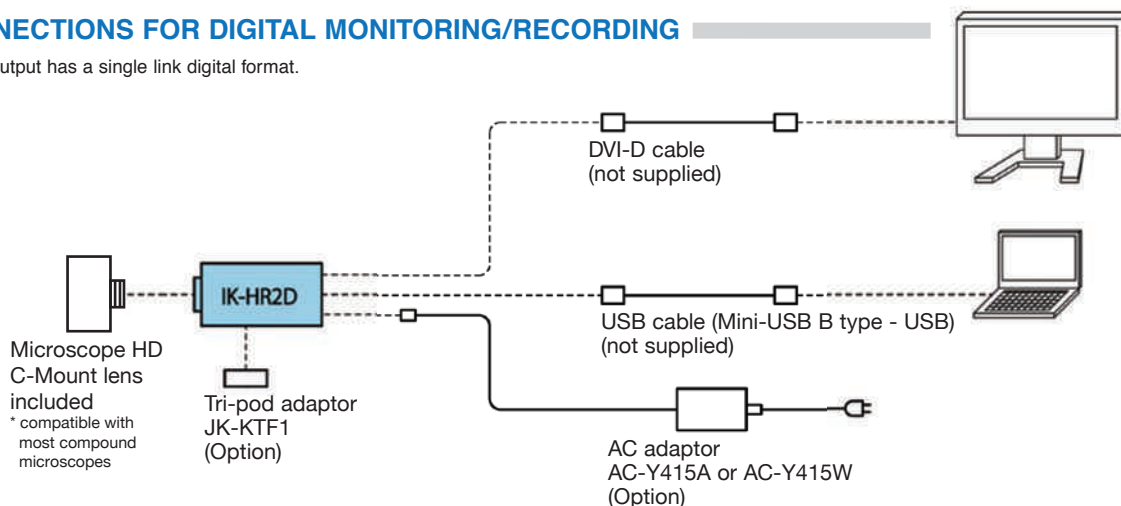
DIMENSIONS

Measurements in Millimeters



CONNECTIONS FOR DIGITAL MONITORING/RECORDING

DVI-D output has a single link digital format.



© 2015 Toshiba America Information Systems, Inc. All rights reserved. All products and names mentioned are the property of their respective owners. While Toshiba has made every effort at the time of publication to ensure the accuracy of the information provided herein, product specifications, configurations, prices, system/component/options availability are all subject to change without notice. This Class A digital apparatus complies with Canadian ICES-003.

OPTRONICS

175 Cremona Drive, Goleta, CA 93117 | optronics.com | sales@optronics.com