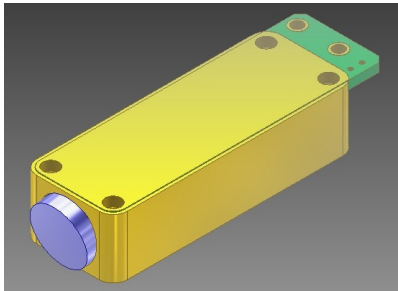


One series

Spec# One16401

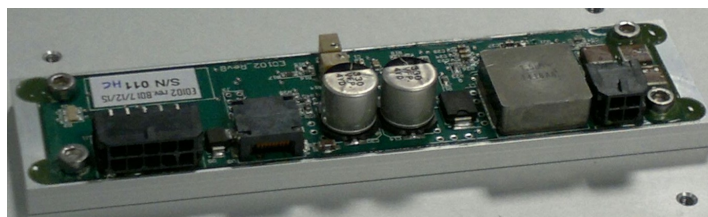
OEM Q-Switched DPSS MicroLaser



FEATURES

- _ Miniaturized Design
- _ 1030nm Q-Switched
- _ up to 100 μ J, 1 W
- _ up to 10 kHz
- _ OEM driver

Technical Specifications	One-1030-20-10	One-1030-100-10	
Max Output Power	0.2	1	W
Q-Switch Repetition Rate	up to 10	up to 10	kHz
Pulse Energy	20	100	μ J
Wavelength	1030		nm
Pulse Width	3 (+/-1)		ns
Pulse energy stability	<2%		sdev
M ²	< 1.5		
Beam diameter @ 1/e ²	< 1		mm
Electrical Requirements	DC Power Supply: 24 V / 2 A Input trigger: TTL pulse		
Cooling	Contact Cooled (Option: Air Cooled)		
Dimensions: - Laser Head - OEM driver	16 x 11 x 51 32 x 16 x 126		mm ³
Case operating temperature	15 to 35		°C
Integrated temperature sensor	NTC, 10 kOhm @25°C		



All information included in this document is subject to change without notice.
Updated datasheets can be provided on request.

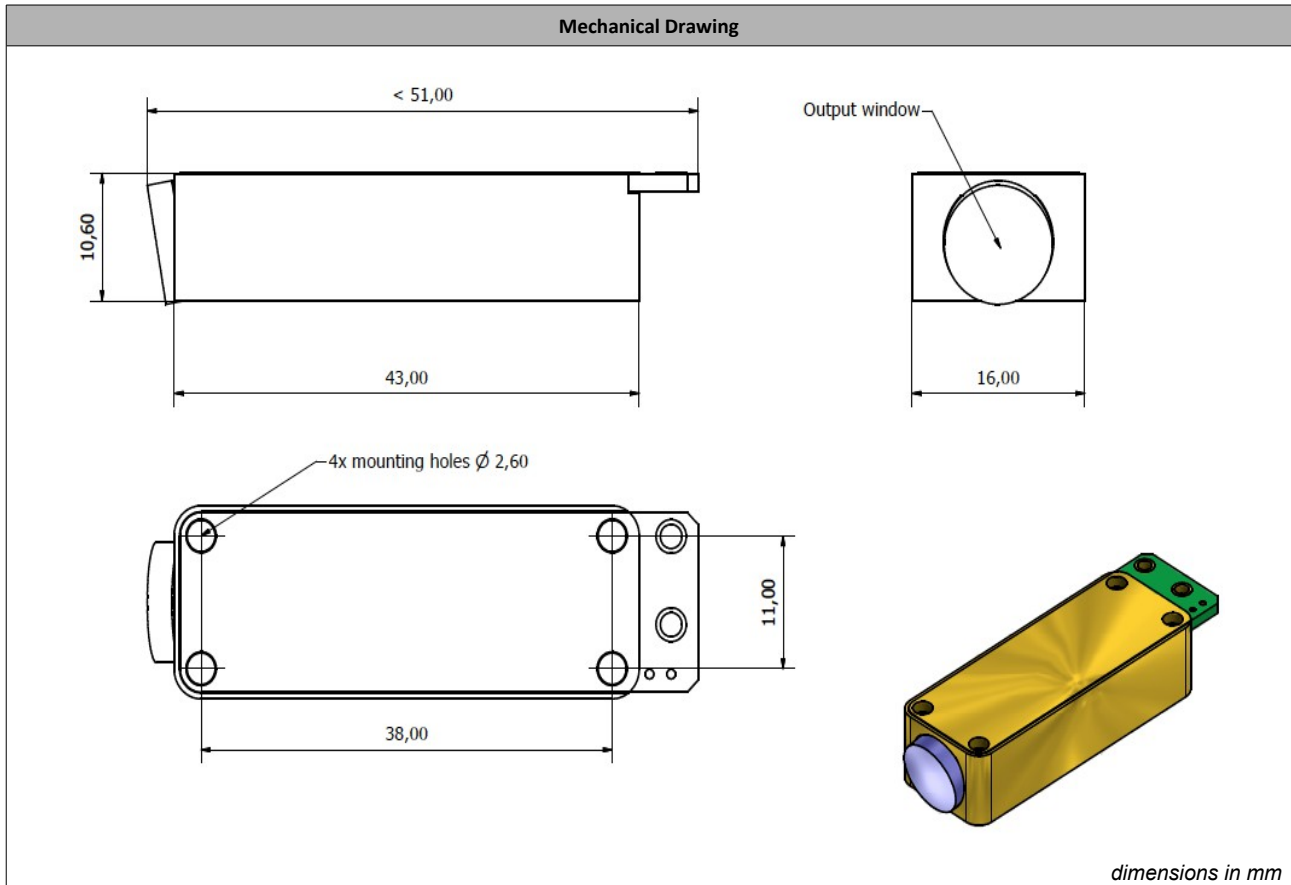
For further details, please contact your local **Bright Solutions** sales representative or visit our website at www.brightsolutions.it

Bright Solutions S.r.l
Via Artigiani, 27010
Cura Carpignano (Pv) Italy
Ph. +39 0382583091
Fax. +39 0382583690
e-mail: info@brightsolutions.it
www.brightsolutions.it

One series

Spec# One16401

OEM Q-Switched DPSS MicroLaser



Options Available:	Applications:
<ul style="list-style-type: none"> - Optional Beam Expanders - Air Cooled Heatsink - 24 : 28 V DC power input - AC-DC power supply 	<ul style="list-style-type: none"> - Material Processing - Marking and Scribing - LIDAR - LIBS



All information included in this document is subject to change without notice.
Updated datasheets can be provided on request.

For further details, please contact your local **Bright Solutions** sales representative or visit our website at www.brightsolutions.it

Bright Solutions S.r.l
Via Artigiani, 27010
Cura Carpignano (Pv) Italy
Ph. +39 0382583091
Fax. +39 0382583690
e-mail: info@brightsolutions.it
www.brightsolutions.it