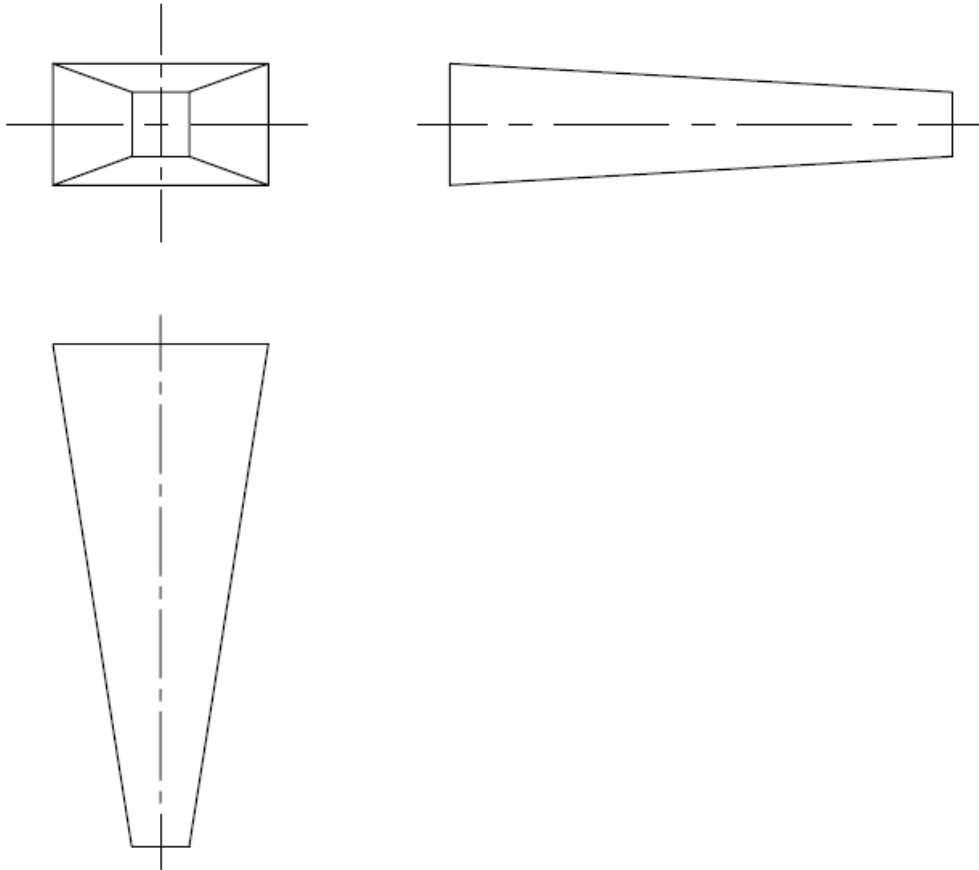


- Scratch & Dig: 60/40~40/20
- Flatness: $\lambda / 2 \sim \lambda / 4$
- Angle Tolerance: 6 arc min ~ 3 arc min
- Number of Polished Faces: 6



Tapered Light Pipe Homogenizing Rods also called light guides utilize total internal reflection to homogenize non-uniform light sources regardless of their spectral characteristics.