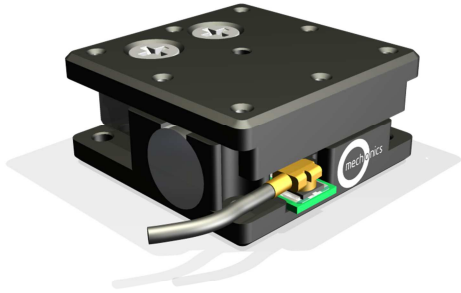


MS15

Ultra small Miniature Translation Stages with piezo electric inertial drive



Technical Data

Travel:	3.5 mm
Max. speed:	1.5 mm/s (depends on controller)
Mass:	8 g

Load characteristics

Max. load	
M_x, M_y, M_z	0.4 Nm
F_x (blocking force)	3 (4) N
F_y, F_z	20 N

Resolution (calculated)

Single step	~ 600 nm
1/16-step	~ 30 nm
(with controller CU 30)	
1/64-step	~ 10 nm
(with controller CF 30)	
Half step	~ 300 nm
Double step	~ 1200 nm
(with controller CN 30)	

Guidance accuracy (without load)

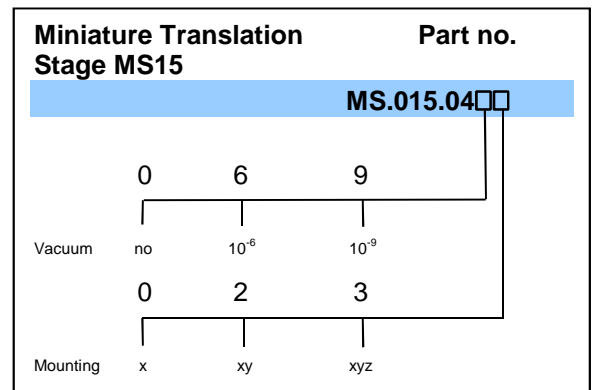
Yaw angle	< 20 arc sec
Pitch angle	< 60 arc sec
Vertical deviation	< 1 μ m
Lateral deviation	< 2 μ m

Specifications

- Piezo driven step motor with low hysteresis
- holds reached position without current
- step width about 15 nm (depends on controller)
- positioning accuracy better than 50 nm
- velocity up to 1.5 mm/s (depends on controller)
- travel 3.5 mm
- xy or xyz combinations
- CNC-machined aluminium body
- precision ball bearing guides
- no limit switches necessary
- vacuum preparation optionally
- customized designs possible
- driven by hand-held CN30 (CN.030.0001) or USB controller C30 (CU.030.0003) or USB controller CF30 (CF.030.0003)
- connection cable CK.015.0001 (2pin Hirose-micro-axial plug to 2pin MMCX socket female) recommended

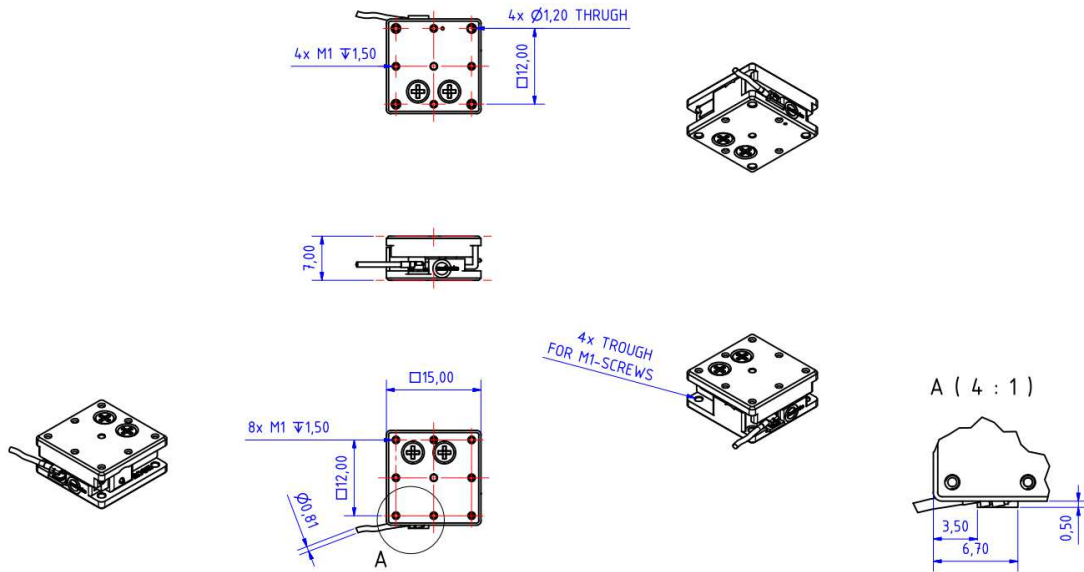
Application Examples

- Micro-/Nano Technology
- Bio Technology
- Microscopy
- Quality Control
- Metrology
- R & D

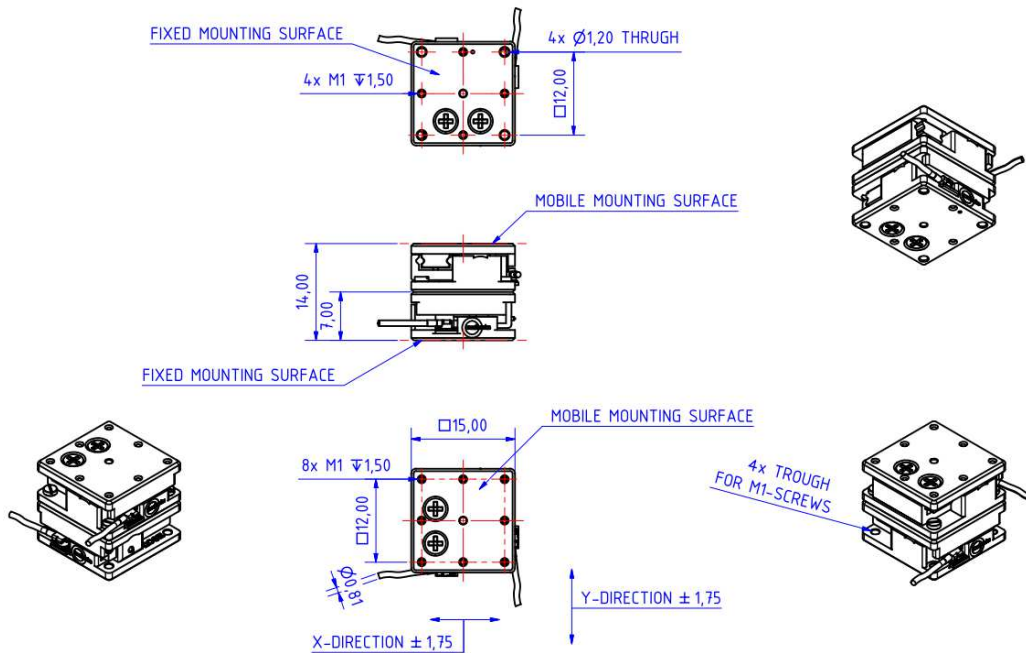


Series MS

Drawings for single stage:

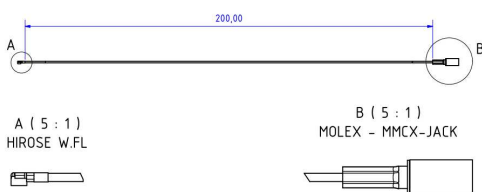


Drawings for xy mounting:

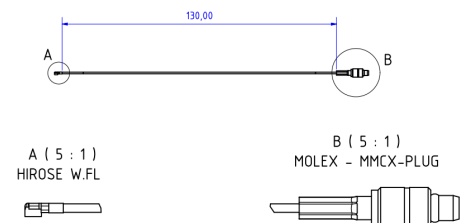


Connection cables:

CK.015.00x1:



CK.015.00x2:



Connection cable for MS15 stage			Part no.
			CK.015.00□□
	0	6	9
Vacuum	no	10 ⁻⁶	10 ⁻⁹
	1	2	3
Connector	female 20 cm	male 13 cm	customized please specify