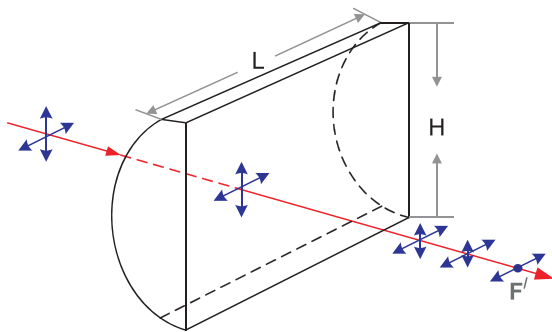
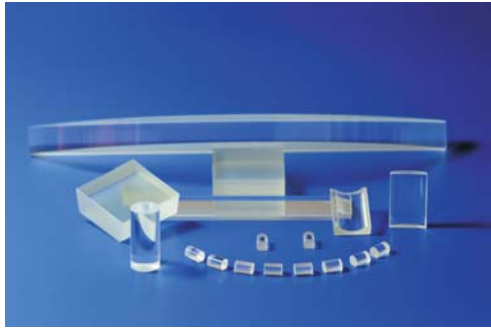
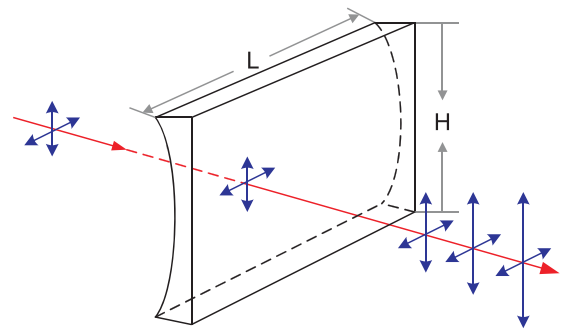




Cylindrical Lens



Plano Convex Cylindrical Lens



Plano Concave Cylindrical Lens

Specifications

Material	BK7
Design Wavelength	632.8nm
Dimension Tolerance	+0/-0.2mm
Thickness Tolerance	±0.2mm
Surface Quality	60/40 scratch and dig
Power(fringe@633nm)	3
Irregularity(fringe@633nm)	0.5
Centration	<3 arc minutes
Focal Length Tolerance	±2%
Clear Aperture	>90%
Chamfer	Protective <0.5x45deg

Ordering Information

BK7 — **CYL** — **PCX** — **10x20** — **150** — **AR1064**

➡ Material-CYL-Shape-Dimension(H*L)-Focal Length-AR coating

FS: Fused Silica; BK7: BK7
 PCX: Plano Convex
 PCV: Plano Concave
 DCX: Double Convex
 DCV: Double Concave

Optical Material

Lens

Window

Mirror

Beamsplitter

Prism

Filter



BK7 Plano-Convex Cylindrical Lens

Part No.	f(mm)	H(mm)	L(mm)	R(mm)	Tc(mm)	Te(mm)	fb(mm)
CYX0001	12.7	10.0	10.0	6.54	4.3	2.0	9.8
CYX0002	12.7	10.0	20.0	6.54	4.3	2.0	9.8
CYX0003	20.0	10.0	10.0	10.29	3.3	2.0	17.8
CYX0004	20.0	10.0	20.0	10.29	3.3	2.0	17.8
CYX0005	25.0	10.0	10.0	12.87	3.0	2.0	23.0
CYX0006	25.0	10.0	20.0	12.87	3.0	2.0	23.0
CYX0007	50.0	20.0	20.0	25.73	4.0	2.0	47.3
CYX0008	75.0	20.0	20.0	38.60	3.3	2.0	72.8
CYX0009	100.0	20.0	20.0	51.47	4.0	3.0	97.3
CYX0010	150.0	20.0	20.0	77.20	3.7	3.0	147.5
CYX0011	200.0	20.0	20.0	102.93	3.5	3.0	197.7
CYX0012	250.0	20.0	20.0	128.67	3.4	3.0	247.7
CYX0013	300.0	20.0	20.0	154.40	3.3	3.0	297.8
CYX0014	500.0	20.0	20.0	257.33	3.2	3.0	497.9
CYX0015	1000.0	20.0	20.0	514.66	3.1	3.0	997.9

BK7 Plano-Concave Cylindrical Lens

Part No.	f(mm)	H(mm)	L(mm)	R(mm)	Tc(mm)	Te(mm)	fb(mm)
CYV001	-12.7	10.0	10.0	6.54	2.0	4.3	-14.0
CYV002	-12.7	10.0	20.0	6.54	2.0	4.3	-14.0
CYV003	-25.0	10.0	10.0	12.87	2.0	3.0	-26.3
CYV004	-25.0	10.0	20.0	12.87	2.0	3.0	-26.3
CYV005	-50.0	20.0	20.0	25.73	2.0	4.0	-51.3