

JETCAM

NEW GENERATION OF CAMERAS



Key Features:

- 2.1 Megapixel up to 2400 fps
- 40 Gbps fiber optic interface
- 25 Gbps CoaXPress
- Up to 10 km cable length
- 3G SDI output for local monitor
- Nikon F mount with integrated lens control
- B4 2/3" mount with integrated lens control
- Compatible with KAYA Vision Point™ SDK
- Compatible with KAYA Komodo™ Frame Grabbers
- Customization as per user requirements

Applications:

- Slow Motion
- 3D
- Sports judgment
- Broadcasting
- Sports analytics
- Special Effects

JetCam 19

Super Speed POV Camera

Innovative Approach

JetCam 19 is high speed low-cost global shutter CMOS camera with Fiber or CoaXPress interfaces which supports full HD (1920x1080) high quality video at rates up to 2400fps.

Intelligent Design

Camera incorporates 10µm global shutter sensor and a direct lens control without need of external devices. With compact outline and low power design this camera can be fitted into tight spaces. The 3G SDI output enables connection of local monitor as viewfinder or an installation aid.

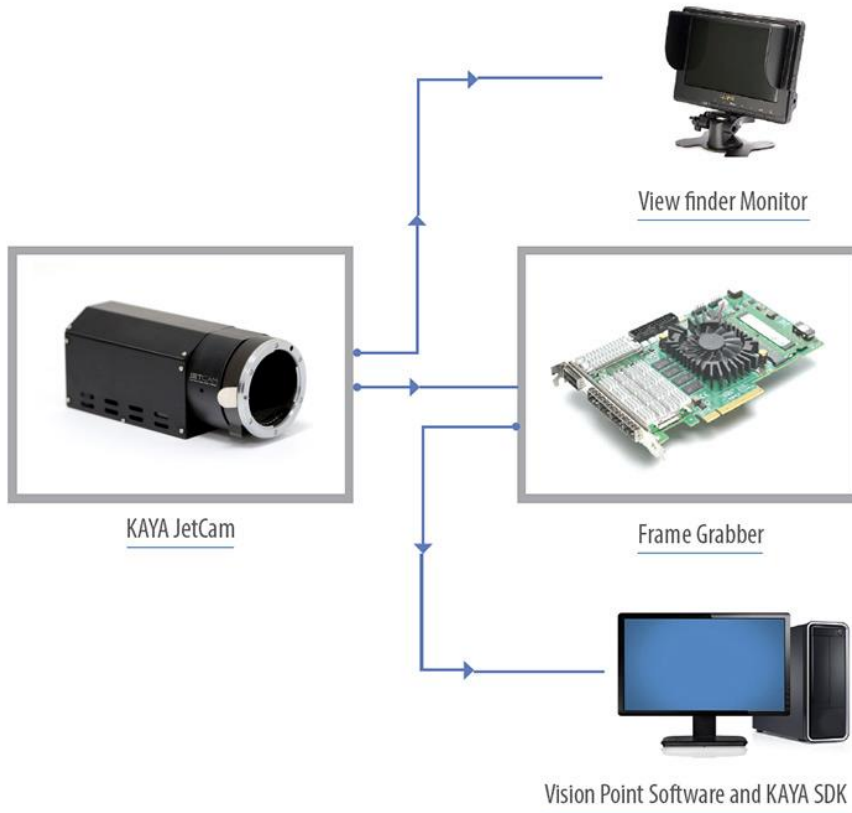


Technical Data (More detailed specifications are available on request)

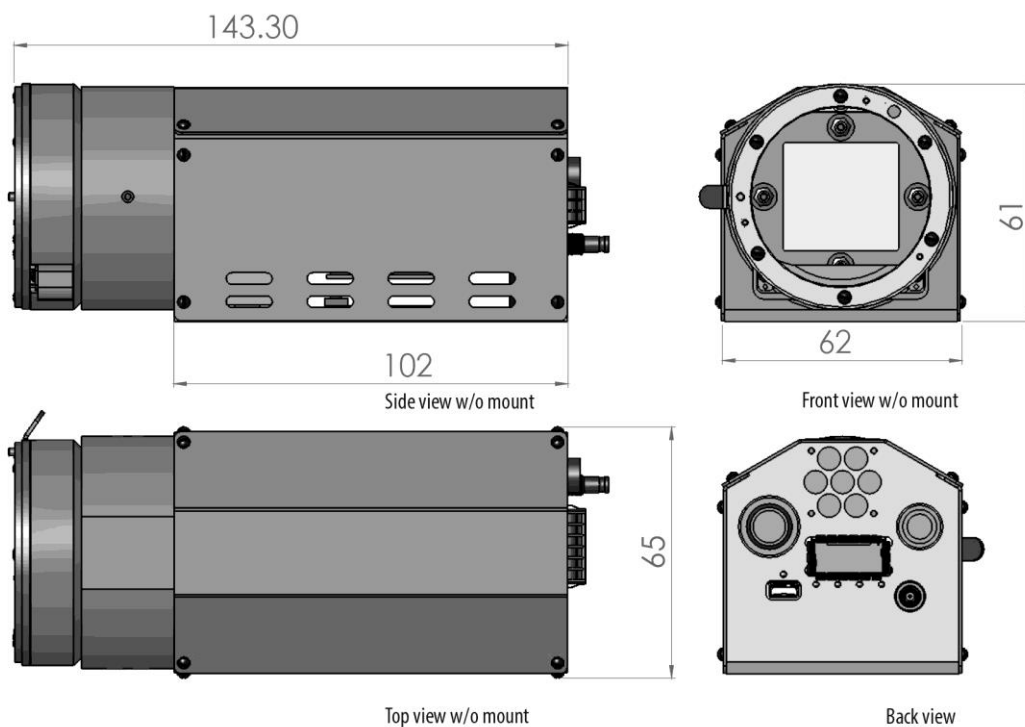
| | |
|--|---|
| Pixel size | 10 μm |
| Resolution | 1920 (H) x 1080 (V) |
| Sensor size | 4/3" |
| Sensor | LUX19HS |
| Video output | KAYA Fiber interface up to 40 Gbps, CoaXPress up to 25 Gbps, CLHS up to 40 Gbps, 10GiGE up to 10Gbps |
| Frame rate | 2400 fps @8bit resolution 1920 fps @10bit resolution |
| Electronic shutter | Global shutter |
| Responsivity at 550 nm | 20V/Lux's (at 500nm) |
| Temporal Noise | 10 e- |
| MTF | TBD |
| Full Well Charge | 15000 e- |
| Dynamic range | 63dB |
| Signal-to-Noise Ratio (SNR max) | 39dB |
| Quantum Efficiency (QE) X FF | >45% (at 550 nm) |
| Dark signal @ 20°C | TBD |
| Pixel FPN | 4 mV rms |
| PRNU | <1.5% rms |
| Shortest Exposure | 1us |
| Image acquisition | Continuous / Triggered |
| Output resolution | 8 or 10 bit |
| Monochrome/ color | Monochrome / Color |
| Power input | 12 VDC (optional 24 VDC) |
| Weight (without lens) | 1260g |
| Power consumption | <12W |
| Operating temperature | -10 C to 50 C (Optional -40 to 70 C) |
| Lens mount | F-Mount, B4, C-mount |
| On camera processing | Defect pixel correction White balance ROI Image flip Frame counter Flat field correction LUT Gain (Analog / Digital) Auto black level |

| | |
|-----------------------------------|---|
| | Nonvolatile storage |
| Programmable I/O | 2x RS232 (RS485 optional) |
| Lens control | Nikon lens control (optional) |
| | Fujinon lens control (optional) |
| | Custom lens control through RS232/RS485 |
| Complimentary video output | 3G SDI |

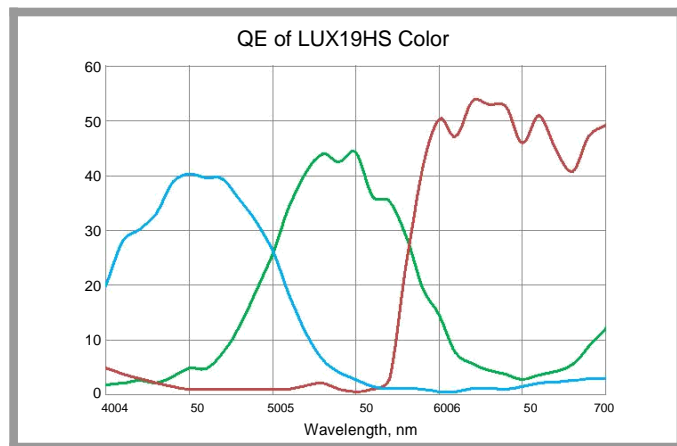
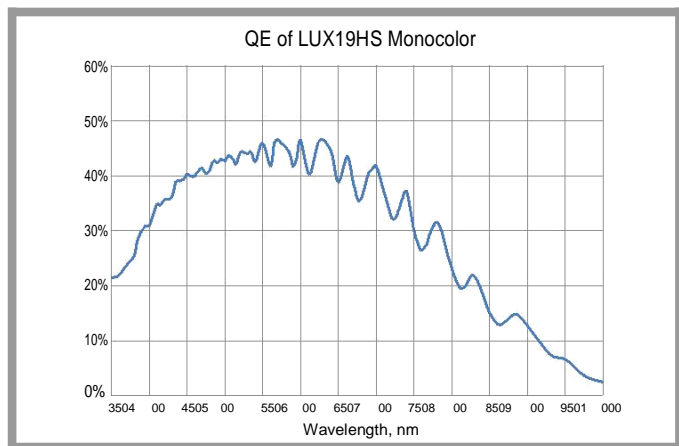
KAYA High Speed Camera Workflow



Camera Body Dimensions



Quantum Efficiency

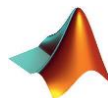


Compatibility

Supported vision standard



Supported vision libraries



Supported operating systems



Windows



Linux

Compatible with most popular machine vision libraries

KAYA Instrument strives to create and maintain compatibility and interfaces for the most common and advanced vision image processing libraries and applications. Major support is available for **MVTec Halcon**, **National Instruments LabVIEW** and **MathWorks MATLAB**. Please check our KAYA website for an up-to-date list of other supported libraries and software package.

Contact

Get in touch with our teams at info@kayainstruments.com. We will be glad to assist and consult you regarding our products.

Worldwide

KAYA Instruments

20 HaMesila St. Nesher
3688520 POB 25004,
Haifa 3125001 Israel

info@kayainstruments.com

Tel: +972 72 272 3500

Fax: +972 72 272 3511

The information provided here is subject to change without notice



<http://www.kayainstruments.com/products/cameras/>

© 2017 KAYA Instruments, Inc. All rights reserved. KAYA Instruments, the KAYA Instruments Komodo logo, JetCam logo, Predator and combinations thereof are trademarks of KAYA Instruments, Inc. in the United States and/or other jurisdictions. Microsoft Windows is a registered trademark of Microsoft Corporation. Other names are for informational purposes only and may be trademarks of their respective owners. KAYA Instruments is not liable for harm or damage incurred by information contained in this document. KY-DOC-JC19