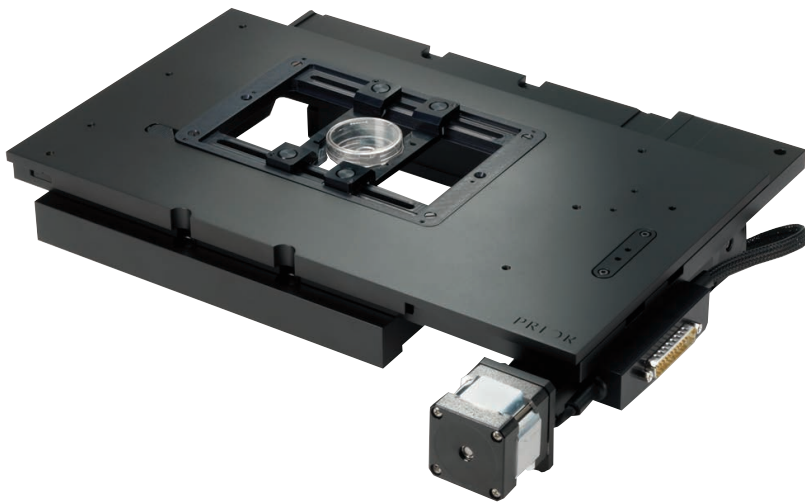


## H117 ProScan™ Stages

114mm x 75mm travel, flat top motorized scanning stages for Leica, Nikon, Olympus and Zeiss inverted microscopes



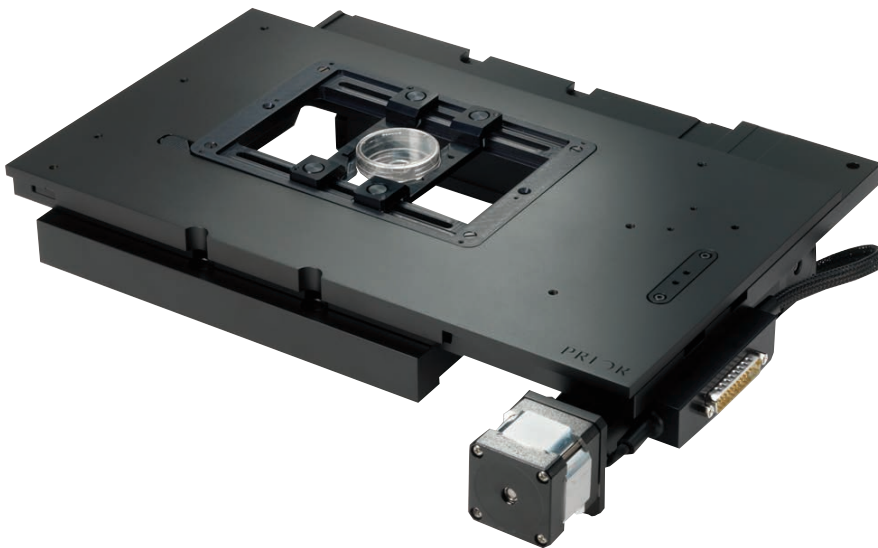
The H117 stages from Prior Scientific maximizes access to the nosepiece for correction collar adjustment. Modified drive boxes occupy a fraction of the space of previous models providing easy access to the nose-piece area of the microscope. The entire travel range of the nosepiece is unobstructed allowing for travel throughout the focus range with more than adequate clearance from the stage. By mounting all of the drive components below the top plate, the H117 provides easy access for micromanipulators, environmental chambers and robotic loaders. The stage allows for scanning using a very broad range of sample holders, including microtitre plates, slide holders, petri dishes, well plates, flasks, haemocytometers and metallurgical sample holders. The H117 ProScan™ stage series has a completely flat top for easy access, and includes the patented Intelligent Scanning Technology (IST)®. In conjunction with extensive testing, Intelligent Scanning Technology allows each stage to be pre-programmed with a unique set of operating characteristics particular to that stage to ensure optimum performance. IST (also available on H101A and H107 models) allows the ProScan™III controller to make any required adjustments to maintain superior orthogonally and metric accuracy.

### Features:

- Travel range of 114mm x 75mm
- Intelligent Scanning Technology (IST) provides highest precision available
- Flat top design facilitates the use of micromanipulators, environmental chambers and robotic loaders.
- Optional 50 nanometer linear scales provide the highest precision available.
- Stage inserts for slides, petri dishes, microtitre plates, well plates, flasks, metallurgical specimens, slides and haemocytometers.

## H117 ProScan™ Stages For the Leica DMI Microscopes

114mm x 75mm travel, flat top motorized scanning stages for inverted Leica DMI microscopes



The latest addition to the H117 family of flat top stages for inverted research microscopes.

Specifically designed and manufactured to fit onto the Leica DMI microscope range.

The H117 family of flat top stages for inverted research microscopes set new standards for convenience and performance. Designed to seamlessly integrate with other items such as micromanipulators and incubation chambers, the top surface of the stage is completely free of obstruction. This provides a highly ergonomic platform with exceptionally easy access to the sample area.

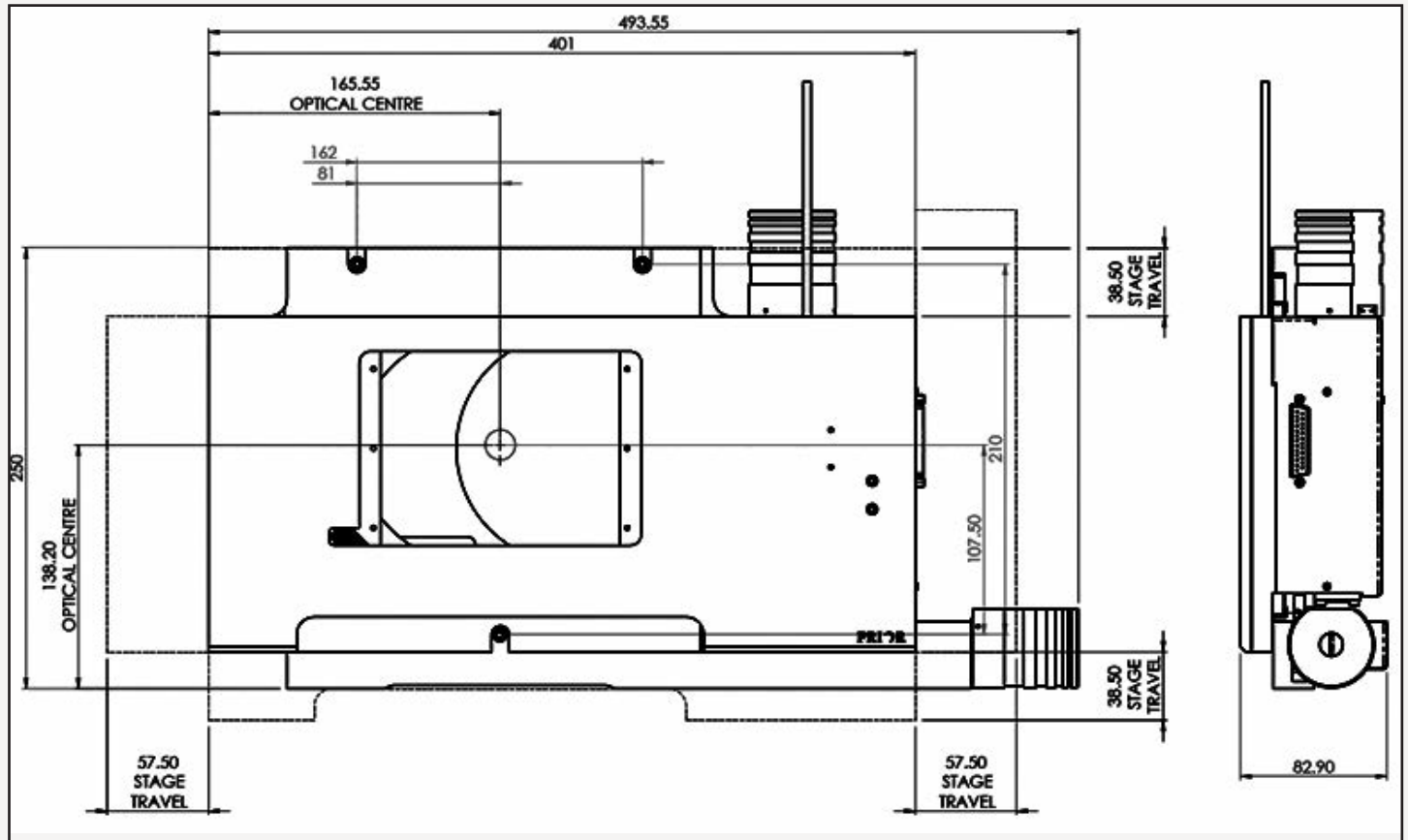
### Features:

- Travel range of 114mm x 75mm
- Intelligent Scanning Technology (IST) provides highest precision available
- Flat top design
- Up to 10 nanometer resolution
- +/- 0.7um repeatability
- Choice of 1mm or 2mm pitch high precision ball screws
- Anti-backlash mechanism
- Externally adjustable limit switches
- Choice of motor type
- Linear encoders available

## H117 ProScan™ Stages for Leica DMI Microscopes

114mm x 75mm travel, flat top motorized scanning stages

### Outline Drawing



### H117 Stages for Leica DMI Microscopes Ordering Information

Part Number	Description
H117P1D4	Flat top stage for Leica DMI with 1mm ball screws and 400 step motors
H117P2DM	Flat top stage for Leica DMI with 2mm ball screws
H117E2DM	Flat top encoded stage for Leica DMI with 0.1µm linear scales
H117E1D5	Flat top encoded stage for Leica DMI with 0.05µm linear scales

### Options for Leica DMI Microscopes

Part Number	Description
KNOBKIT	Add manual override knobs

**PRIOR**  
Scientific



### Worldwide distribution

Prior Scientific Ltd  
Cambridge, UK

T. +44 (0) 1223 881711  
E. [uksales@prior.com](mailto:uksales@prior.com)

Prior Scientific Inc  
Rockland, MA, USA

T. +1 781-878-8442  
E. [info@prior.com](mailto:info@prior.com)

Prior Scientific GmbH  
Jena, Germany

T. +49 (0) 3641 675 650  
E. [jena@prior.com](mailto:jena@prior.com)

Prior Scientific KK  
Tokyo, Japan

T. +81-3-5652-8831  
E. [info-japan@prior.com](mailto:info-japan@prior.com)

## H117 ProScan™ Stages For the Nikon TE2000 Microscopes

114mm x 75mm travel, flat top motorized scanning stages for inverted Nikon TE2000 microscopes

The latest addition to the H117 family of flat top stages for inverted research microscopes.

Specifically designed and manufactured to fit onto the Nikon TE2000 microscope range.

The H117 family of flat top stages for inverted research microscopes set new standards for convenience and performance. Designed to seamlessly integrate with other items such as micromanipulators and incubation chambers, the top surface of the stage is completely free of obstruction. This provides a highly ergonomic platform with exceptionally easy access to the sample area.



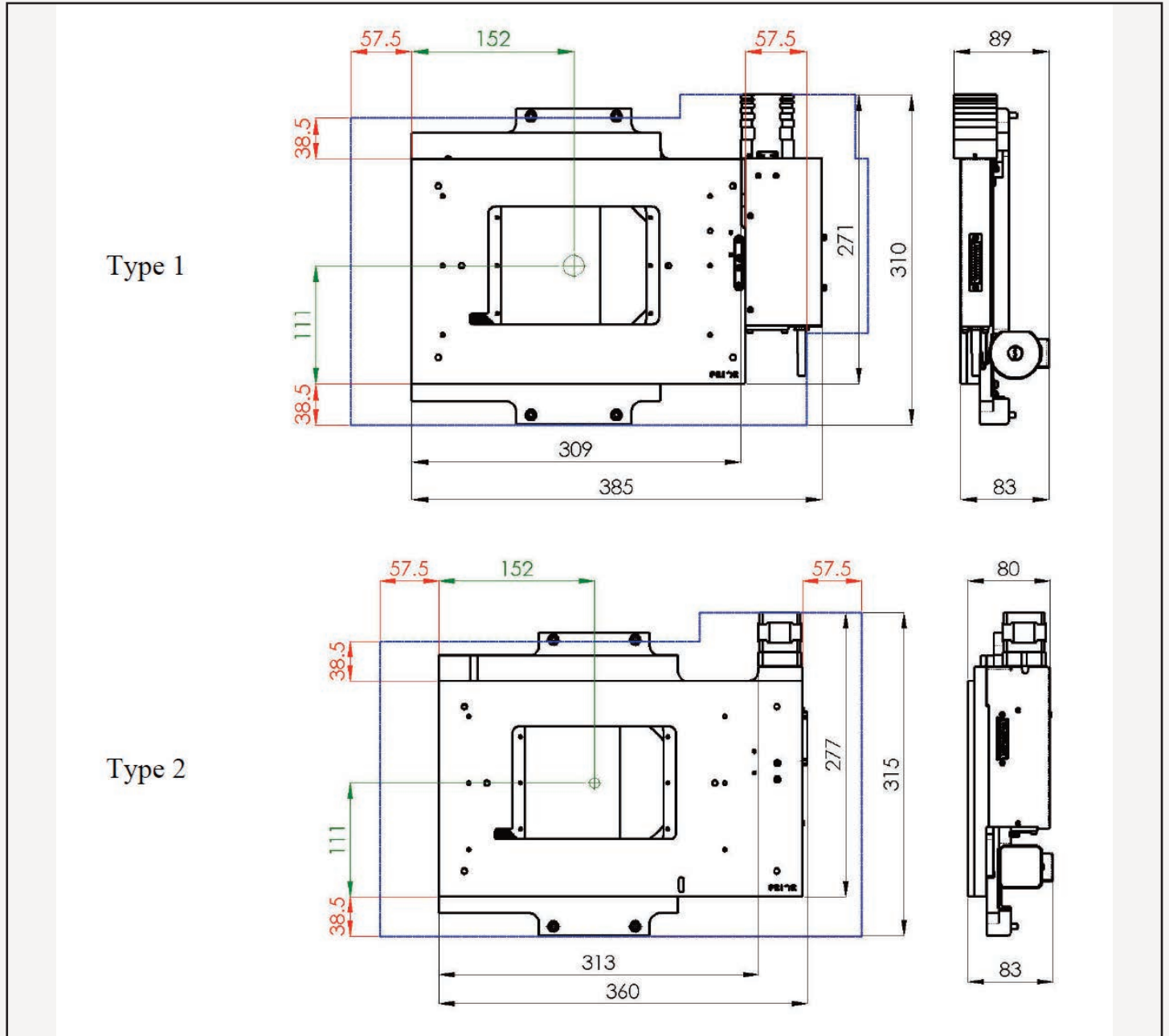
### Features:

- Travel range of 114mm x 75mm
- Intelligent Scanning Technology (IST) provides highest precision available
- Flat top design
- Up to 10 nanometer resolution
- +/- 0.7um repeatability
- Choice of 1mm or 2mm pitch high precision ball screws
- Anti-backlash mechanism
- Externally adjustable limit switches
- Choice of motor type
- Linear encoders available

# H117 ProScan™ Stages for Nikon TE2000 Inverted Microscopes

114mm x 75mm travel, flat top motorized scanning stages for inverted Nikon TE2000 microscopes

## Outline Drawing



\*Dimensions from top surface of stage to mounting surface.



## Worldwide distribution



**Prior Scientific Ltd**  
Cambridge, UK

T. +44 (0) 1223 881711  
E. [uksales@prior.com](mailto:uksales@prior.com)

**Prior Scientific Inc**  
Rockland, MA, USA

T. +1 781-878-8442  
E. [info@prior.com](mailto:info@prior.com)

**Prior Scientific GmbH**  
Jena, Germany

T. +49 (0) 3641 675 650  
E. [jena@prior.com](mailto:jena@prior.com)

**Prior Scientific KK**  
Tokyo, Japan

T. +81-3-5652-8831  
E. [info-japan@prior.com](mailto:info-japan@prior.com)

## H117 ProScan™ Stages for Nikon TE2000 Inverted Microscopes

114mm x 75mm travel, flat top motorized scanning stages for inverted Nikon TE2000 microscopes

### Specifications

Performance	H117P2TE	H117P1T4	H117E2TE	H117E1T5
Uni-Directional Repeatability (average)*	0.2µm	0.2µm	0.2µm	0.2µm
Minimum Step Size	0.04µm	0.01µm	0.1µm	0.05µm
Maximum Speed	100mms <sup>-1</sup>	25mms <sup>-1</sup>	100mms <sup>-1</sup>	25mms <sup>-1</sup>
**Metric Accuracy (average)	0.06µm/mm	0.059µm/mm	0.057µm/mm	0.046µm/mm
Maximum Travel Range	114mmx75mm	114mmx75mm	114mmx75mm	114mmx75mm
Maximum Load	10kg	10kg	10kg	10kg
Squareness	30 Arc sec	30 Arc sec	30 Arc sec	30 Arc sec
Weight	5kg	5kg	5kg	5kg
Ball Screw Pitch	2mm	1mm	2mm	1mm
Motor Type	200 S.P.R***	400 S.P.R***	200 S.P.R***	400 S.P.R***
Encoders	No	No	0.1µm	0.05µm

\*Using a Prior ProScan™ controller with backlash correction enabled, all repeatability is uni-directional.

\*\* Requires the use of Prior ProScan™ Controller and are based on the Prior method of testing. Based on performance with IST enabled, and measured over the full travel range.

\*\*\*S.P.R: Full steps per revolution of motor.

### Controller Options



#### Patented Intelligent Scanning Technology (IST):

The ProScan™III controller and stage include as standard IST which significantly improves the metric accuracy of the ProScan™ stage.



#### Prior Interactive Control Center:

The PS3J100 local control center provides positional feedback and the ability to measure distances. The stage can be controlled either via the joystick or via fine individual X and Y control knobs.

### ProScan™III Ordering Information

Part Number	Description
H31XYZE	Encoded X, Y and Z axis control
H31XYZEF	Encoded X, Y and Z axis, filter wheel and shutter control

**PRIOR**  
Scientific



### Worldwide distribution

**Prior Scientific Ltd**  
Cambridge, UK

T. +44 (0) 1223 881711  
E. uksales@prior.com

**Prior Scientific Inc**  
Rockland, MA, USA

T. +1 781-878-8442  
E. info@prior.com

**Prior Scientific GmbH**  
Jena, Germany

T. +49 (0) 3641 675 650  
E. jena@prior.com

**Prior Scientific KK**  
Tokyo, Japan

T. +81-3-5652-8831  
E. info-japan@prior.com



## H117 ProScan™ Stages For the Nikon Ti Microscopes

114mm x 75mm travel, flat top motorized scanning stages for inverted Nikon Ti microscopes

The latest addition to the H117 family of flat top stages for inverted research microscopes.

Specifically designed and manufactured to fit onto the Nikon Ti microscope range.

The H117 family of flat top stages for inverted research microscopes set new standards for convenience and performance. Designed to seamlessly integrate with other items such as micromanipulators and incubation chambers, the top surface of the stage is completely free of obstruction. This provides a highly ergonomic platform with exceptionally easy access to the sample area.



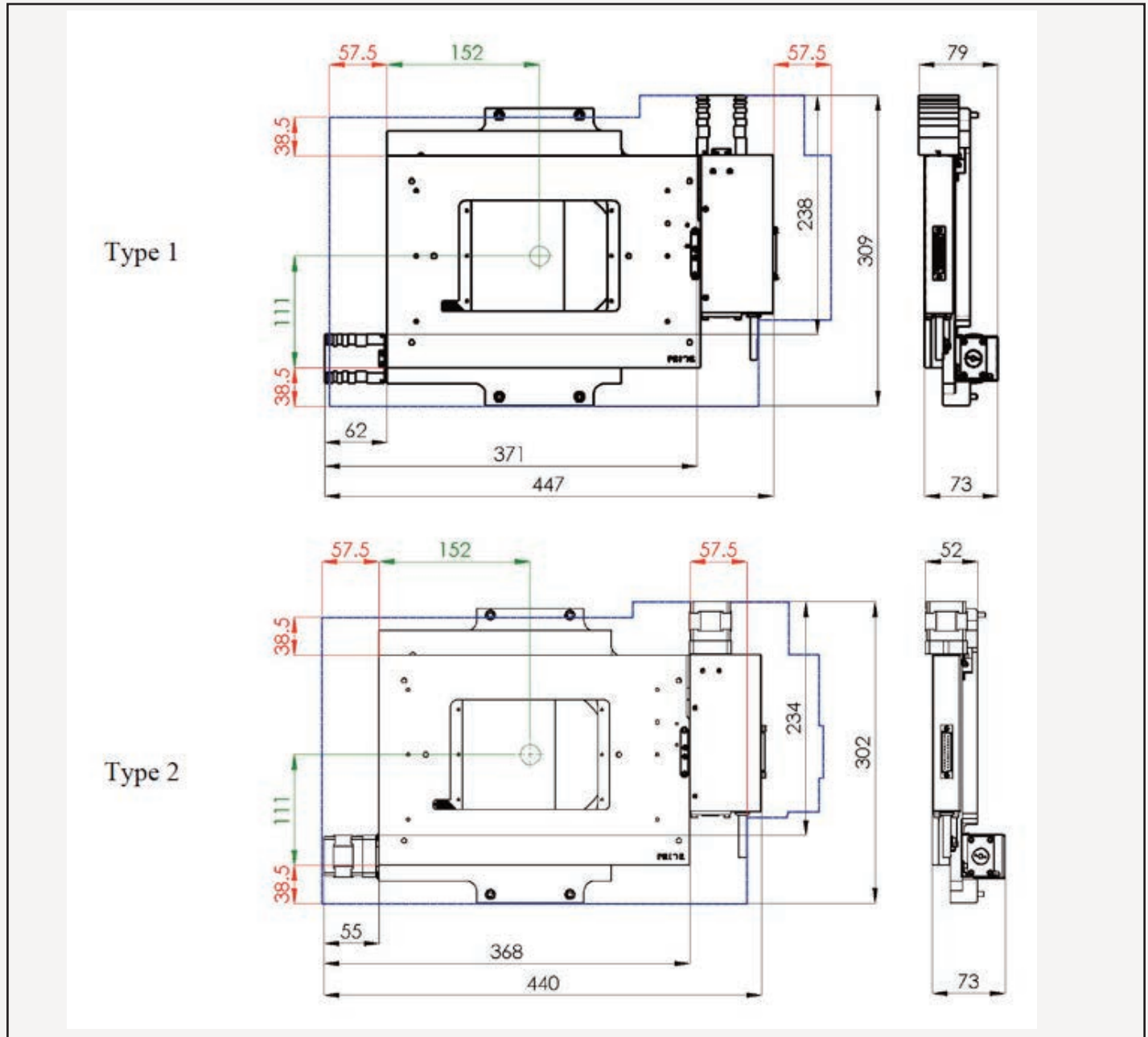
### Features:

- Travel range of 114mm x 75mm
- Intelligent Scanning Technology (IST) provides highest precision available
- Flat top design
- Up to 10 nanometer resolution
- +/- 0.7um repeatability
- Choice of 1mm or 2mm pitch high precision ball screws
- Anti-backlash mechanism
- Externally adjustable limit switches
- Choice of motor type
- Linear encoders available

# H117 ProScan™ Stages for Nikon Ti Inverted Microscopes

114mm x 75mm travel, flat top motorized scanning stages for inverted Nikon Ti microscopes

## Outline Drawing



\*Dimensions from top surface of stage to mounting surface.



## Worldwide distribution



**Prior Scientific Ltd**  
Cambridge, UK

T. +44 (0) 1223 881711  
E. [uksales@prior.com](mailto:uksales@prior.com)

**Prior Scientific Inc**  
Rockland, MA, USA

T. +1 781-878-8442  
E. [info@prior.com](mailto:info@prior.com)

**Prior Scientific GmbH**  
Jena, Germany

T. +49 (0) 3641 675 650  
E. [jena@prior.com](mailto:jena@prior.com)

**Prior Scientific KK**  
Tokyo, Japan

T. +81-3-5652-8831  
E. [info-japan@prior.com](mailto:info-japan@prior.com)



## H117 ProScan™ Stages for Nikon Ti Inverted Microscopes

114mm x 75mm travel, flat top motorized scanning stages for inverted Nikon Ti microscopes

### Specifications

Performance	H117P2NN	H117P1N4	H117E2NN	H117E1N5
Uni-Directional Repeatability (average)*	0.2µm	0.2µm	0.2µm	0.2µm
Minimum Step Size	0.04µm	0.01µm	0.1µm	0.05µm
Maximum Speed	100mms <sup>-1</sup>	25mms <sup>-1</sup>	100mms <sup>-1</sup>	25mms <sup>-1</sup>
**Metric Accuracy (average)	0.06µm/mm	0.059µm/mm	0.057µm/mm	0.046µm/mm
Maximum Travel Range	114mmx75mm	114mmx75mm	114mmx75mm	114mmx75mm
Maximum Load	10kg	10kg	10kg	10kg
Squareness	30 Arc sec	30 Arc sec	30 Arc sec	30 Arc sec
Weight	5kg	5kg	5kg	5kg
Ball Screw Pitch	2mm	1mm	2mm	1mm
Motor Type	200 S.P.R***	400 S.P.R***	200 S.P.R***	400 S.P.R***
Encoders	No	No	0.1µm	0.05µm

\*Using a Prior ProScan™ controller with backlash correction enabled, all repeatability is uni-directional.

\*\* Requires the use of Prior ProScan™ Controller and are based on the Prior method of testing. Based on performance with IST enabled, and measured over the full travel range.

\*\*\*S.P.R: Full steps per revolution of motor.

### Controller Options



#### Patented Intelligent Scanning Technology (IST):

The ProScan™III controller and stage include as standard IST which significantly improves the metric accuracy of the ProScan™ stage.



#### Prior Interactive Control Center:

The PS3J100 local control center provides positional feedback and the ability to measure distances. The stage can be controlled either via the joystick or via fine individual X and Y control knobs.

### ProScan™III Ordering Information

Part Number	Description
H31XYZE	Encoded X, Y and Z axis control
H31XYZEF	Encoded X, Y and Z axis, filter wheel and shutter control

**PRIOR**  
Scientific



### Worldwide distribution

**Prior Scientific Ltd**  
Cambridge, UK

T. +44 (0) 1223 881711  
E. uksales@prior.com

**Prior Scientific Inc**  
Rockland, MA, USA

T. +1 781-878-8442  
E. info@prior.com

**Prior Scientific GmbH**  
Jena, Germany

T. +49 (0) 3641 675 650  
E. jena@prior.com

**Prior Scientific KK**  
Tokyo, Japan

T. +81-3-5652-8831  
E. info-japan@prior.com

## H117 ProScan™ Stages For the Olympus IX Microscopes

114mm x 75mm travel, flat top motorized scanning stages for inverted Olympus IX microscopes



The latest addition to the H117 family of flat top stages for inverted research microscopes.

Specifically designed and manufactured to fit onto the Olympus IX microscope range.

The H117 family of flat top stages for inverted research microscopes set new standards for convenience and performance. Designed to seamlessly integrate with other items such as micromanipulators and incubation chambers, the top surface of the stage is completely free of obstruction. This provides a highly ergonomic platform with exceptionally easy access to the sample area.

### Features:

- Travel range of 114mm x 75mm
- Intelligent Scanning Technology (IST) provides highest precision available
- Flat top design
- Up to 10 nanometer resolution
- +/- 0.7um repeatability
- Choice of 1mm or 2mm pitch high precision ball screws
- Anti-backlash mechanism
- Externally adjustable limit switches
- Choice of motor type
- Linear encoders available

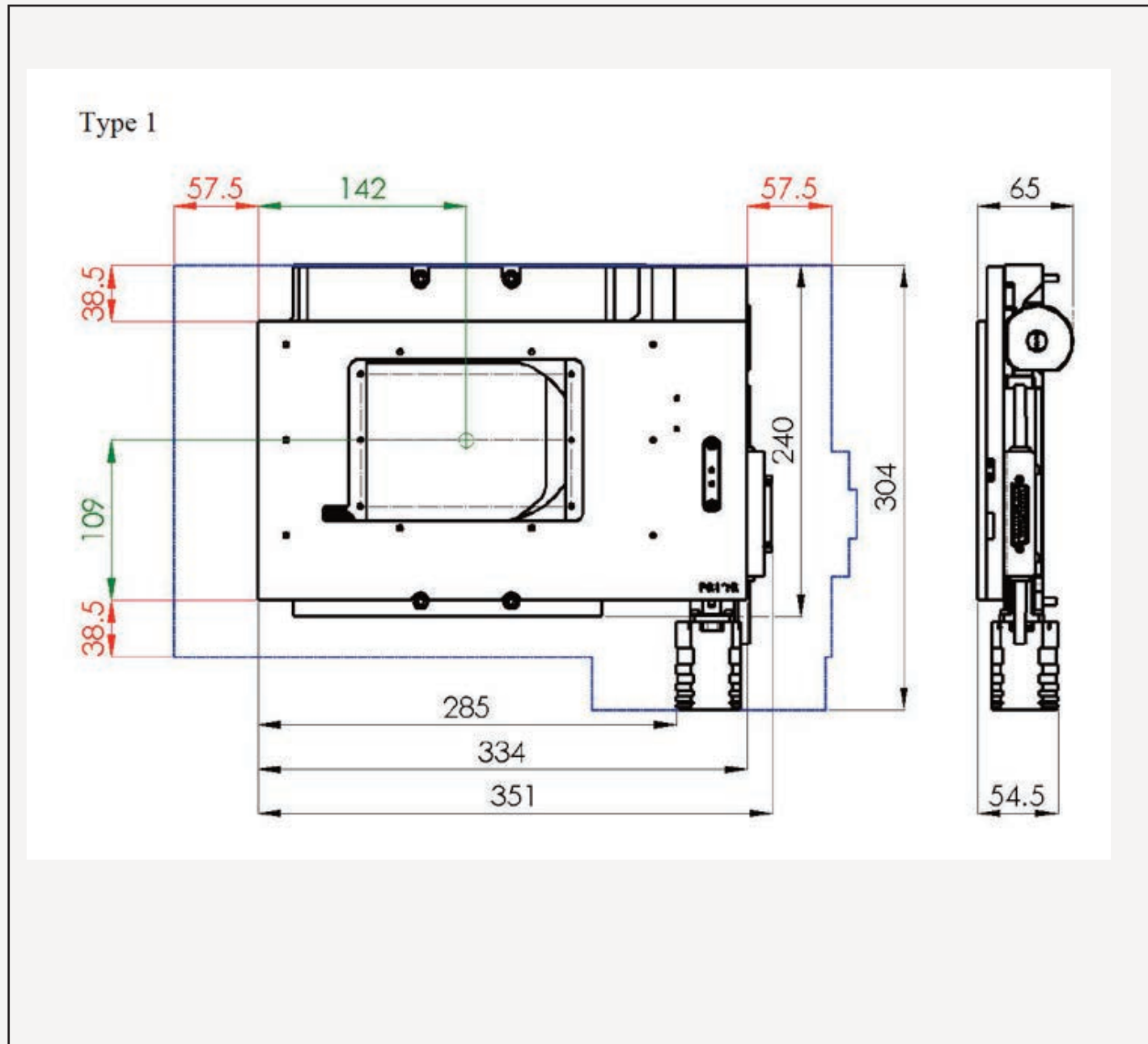
### Controlled by Olympus Software:

- cellSens Dimensions
- Stream Motion, Enterprise
- FluoView
- xCellence rt
- Cell B, D, F, M, R and P
- analySIS: Doku, Auto, Pro

## H117 ProScan™ Stages for Olympus IX Inverted Microscopes

114mm x 75mm travel, flat top motorized scanning stages for inverted Olympus IX microscopes

### Outline Drawing



\*Dimensions from top surface of stage to mounting surface.



### Worldwide distribution



**Prior Scientific Ltd**  
Cambridge, UK

T. +44 (0) 1223 881711  
E. [uksales@prior.com](mailto:uksales@prior.com)

**Prior Scientific Inc**  
Rockland, MA, USA

T. +1 781-878-8442  
E. [info@prior.com](mailto:info@prior.com)

**Prior Scientific GmbH**  
Jena, Germany

T. +49 (0) 3641 675 650  
E. [jena@prior.com](mailto:jena@prior.com)

**Prior Scientific KK**  
Tokyo, Japan

T. +81-3-5652-8831  
E. [info-japan@prior.com](mailto:info-japan@prior.com)

## H117 ProScan™ Stages for Olympus IX Inverted Microscopes

114mm x 75mm travel, flat top motorized scanning stages for inverted Olympus IX microscopes

### Specifications

Performance	H117P2IX	H117P1I4	H117E2IX	H117E1I5
Uni-Directional Repeatability (average)*	0.2µm	0.2µm	0.2µm	0.2µm
Minimum Step Size	0.04µm	0.01µm	0.1µm	0.05µm
Maximum Speed	100mms <sup>-1</sup>	25mms <sup>-1</sup>	100mms <sup>-1</sup>	25mms <sup>-1</sup>
**Metric Accuracy (average)	0.06µm/mm	0.059µm/mm	0.057µm/mm	0.046µm/mm
Maximum Travel Range	114mmx75mm	114mmx75mm	114mmx75mm	114mmx75mm
Maximum Load	10kg	10kg	10kg	10kg
Squareness	30 Arc sec	30 Arc sec	30 Arc sec	30 Arc sec
Weight	5kg	5kg	5kg	5kg
Ball Screw Pitch	2mm	1mm	2mm	1mm
Motor Type	200 S.P.R***	400 S.P.R***	200 S.P.R***	400 S.P.R***
Encoders	No	No	0.1µm	0.05µm

\*Using a Prior ProScan™ controller with backlash correction enabled, all repeatability is uni-directional.

\*\* Requires the use of Prior ProScan™ Controller and are based on the Prior method of testing. Based on performance with IST enabled, and measured over the full travel range.

\*\*\*S.P.R: Full steps per revolution of motor.

### Controller Options



#### Patented Intelligent Scanning Technology (IST):

The ProScan™III controller and stage include as standard IST which significantly improves the metric accuracy of the ProScan™ stage.



#### Prior Interactive Control Center:

The PS3J100 local control center provides positional feedback and the ability to measure distances. The stage can be controlled either via the joystick or via fine individual X and Y control knobs.

### ProScan™III Ordering Information

Part Number	Description
H31XYZE	Encoded X, Y and Z axis control
H31XYZEF	Encoded X, Y and Z axis, filter wheel and shutter control

**PRIOR**  
Scientific



### Worldwide distribution

**Prior Scientific Ltd**  
Cambridge, UK

T. +44 (0) 1223 881711  
E. uksales@prior.com

**Prior Scientific Inc**  
Rockland, MA, USA

T. +1 781-878-8442  
E. info@prior.com

**Prior Scientific GmbH**  
Jena, Germany

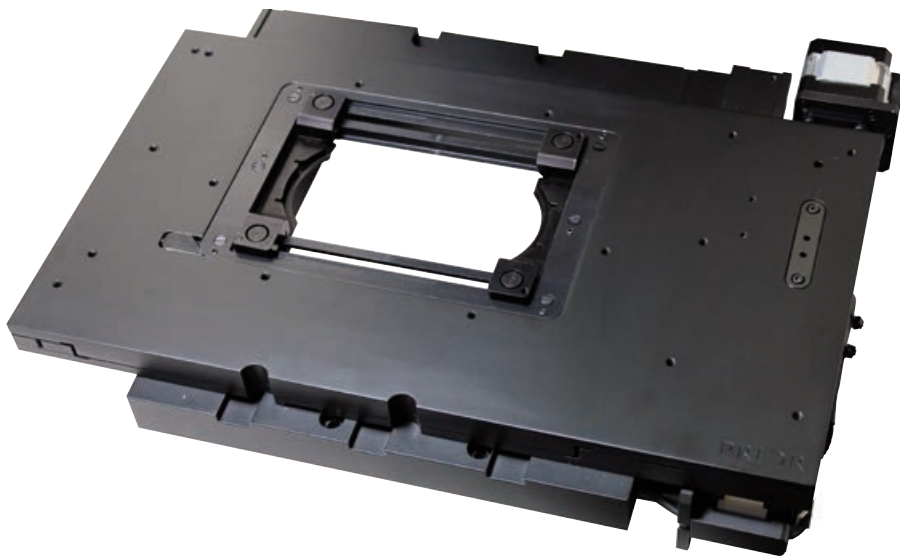
T. +49 (0) 3641 675 650  
E. jena@prior.com

**Prior Scientific KK**  
Tokyo, Japan

T. +81-3-5652-8831  
E. info-japan@prior.com

## H117 ProScan™ Stages For the Olympus IX3 Microscopes

114mm x 75mm travel, flat top motorized scanning stages for inverted Olympus IX3 microscopes



The latest addition to the H117 family of flat top stages for inverted research microscopes.

Specifically designed and manufactured to fit onto the Olympus IX3 microscope range.

The H117 family of flat top stages for inverted research microscopes set new standards for convenience and performance. Designed to seamlessly integrate with other items such as micromanipulators and incubation chambers, the top surface of the stage is completely free of obstruction. This provides a highly ergonomic platform with exceptionally easy access to the sample area.

### Features:

- Travel range of 114mm x 75mm
- Intelligent Scanning Technology (IST) provides highest precision available
- Flat top design
- Up to 10 nanometer resolution
- +/- 0.7um repeatability
- Choice of 1mm or 2mm pitch high precision ball screws
- Anti-backlash mechanism
- Externally adjustable limit switches
- Choice of motor type
- Linear encoders available

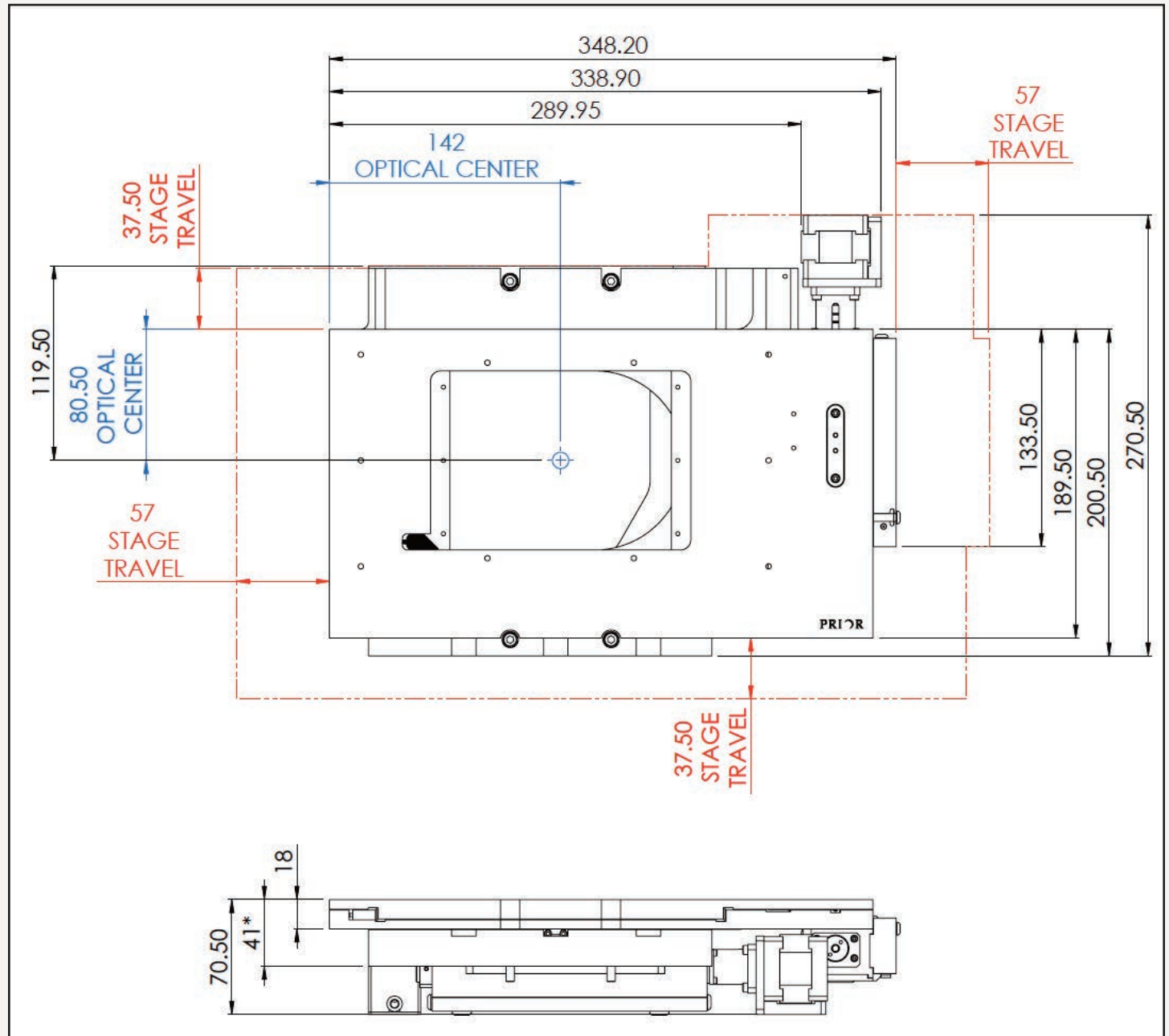
### Controlled by Olympus Software:

- cellSens Dimensions
- Stream Motion, Enterprise
- FluoView
- xCellece rt
- Cell B, D, F, M, R and P
- analySIS: Doku, Auto, Pro

**H117 ProScan™ Stages for Olympus IX3 Inverted Microscopes**

114mm x 75mm travel, flat top motorized scanning stages for inverted Olympus IX3 microscopes

**Outline Drawing**



\*Dimensions from top surface of stage to mounting surface.

**Worldwide distribution**



**Prior Scientific Ltd**  
Cambridge, UK

T. +44 (0) 1223 881711  
E. [uksales@prior.com](mailto:uksales@prior.com)

**Prior Scientific Inc**  
Rockland, MA, USA

T. +1 781-878-8442  
E. [info@prior.com](mailto:info@prior.com)

**Prior Scientific GmbH**  
Jena, Germany

T. +49 (0) 3641 675 650  
E. [jena@prior.com](mailto:jena@prior.com)

**Prior Scientific KK**  
Tokyo, Japan

T. +81-3-5652-8831  
E. [info-japan@prior.com](mailto:info-japan@prior.com)



## H117 ProScan™ Stages for Olympus IX3 Inverted Microscopes

114mm x 75mm travel, flat top motorized scanning stages for inverted Olympus IX3 microscopes

### Specifications

Performance	H117P1X3	H117E1X3	H117P2X3	H117E2X3
Uni-Directional Repeatability (average)*	0.2µm	0.2µm	0.2µm	0.2µm
Minimum Step Size	0.01µm	0.05µm	0.04µm	0.1µm
Maximum Speed	25mms <sup>-1</sup>	25mms <sup>-1</sup>	60mms <sup>-1</sup>	60mms <sup>-1</sup>
**Metric Accuracy (average)	0.06µm/mm	0.05µm/mm	0.06µm/mm	0.06µm/mm
Maximum Travel Range	114mmx75mm	114mmx75mm	114mmx75mm	114mmx75mm
Maximum Load	10kg	10kg	10kg	10kg
Squareness	30 Arc sec	30 Arc sec	30 Arc sec	30 Arc sec
Weight	5kg	5kg	5kg	5kg
Ball Screw Pitch	1mm	1mm	2mm	2mm
Motor Type	400 S.P.R***	400 S.P.R***	200 S.P.R***	200 S.P.R***
Encoders	No	0.05µm	No	0.1µm

\*Using a Prior ProScan™ controller with backlash correction enabled, all repeatability is uni-directional.

\*\* Requires the use of Prior ProScan™ Controller and are based on the Prior method of testing. Based on performance with IST enabled, and measured over the full travel range.

\*\*\*S.P.R: Full steps per revolution of motor.

### Controller Options



#### Patented Intelligent Scanning Technology (IST):

The ProScan™III controller and stage include as standard IST which significantly improves the metric accuracy of the ProScan™ stage.



#### Prior Interactive Control Center:

The PS3J100 local control center provides positional feedback and the ability to measure distances. The stage can be controlled either via the joystick or via fine individual X and Y control knobs.

### ProScan™III Ordering Information

Part Number	Description
H31XYZE	Encoded X, Y and Z axis control
H31XYZEF	Encoded X, Y and Z axis, filter wheel and shutter control

**PRIOR**  
Scientific



### Worldwide distribution

**Prior Scientific Ltd**  
Cambridge, UK

T. +44 (0) 1223 881711  
E. uksales@prior.com

**Prior Scientific Inc**  
Rockland, MA, USA

T. +1 781-878-8442  
E. info@prior.com

**Prior Scientific GmbH**  
Jena, Germany

T. +49 (0) 3641 675 650  
E. jena@prior.com

**Prior Scientific KK**  
Tokyo, Japan

T. +81-3-5652-8831  
E. info-japan@prior.com

## H117 ProScan™ Stages For the Zeiss AxioVert 200 and AxioObserver Microscopes

114mm x 75mm travel, flat top motorized scanning stages



The latest addition to the H117 family of flat top stages for inverted research microscopes.

Specifically designed and manufactured to fit onto the Zeiss AxioVert 200 and AxioObserver microscope range.

The H117 family of flat top stages for inverted research microscopes set new standards for convenience and performance. Designed to seamlessly integrate with other items such as micromanipulators and incubation chambers, the top surface of the stage is completely free of obstruction. This provides a highly ergonomic platform with exceptionally easy access to the sample area.

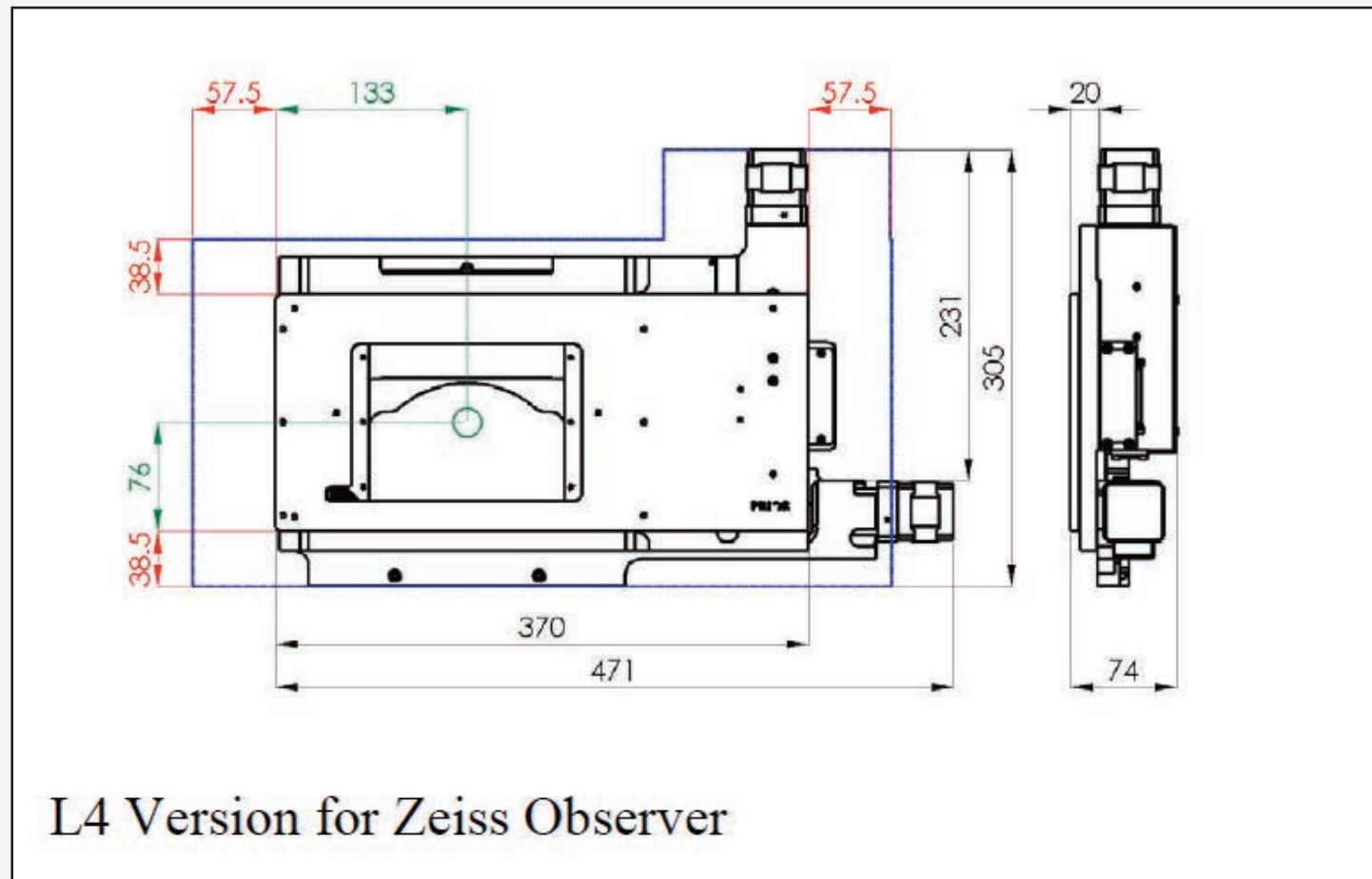
### Features:

- Travel range of 114mm x 75mm
- Intelligent Scanning Technology (IST) provides highest precision available
- Flat top design
- Up to 10 nanometer resolution
- +/- 0.7um repeatability
- Choice of 1mm or 2mm pitch high precision ball screws
- Anti-backlash mechanism
- Externally adjustable limit switches
- Choice of motor type
- Linear encoders available

## H117 ProScan™ Stages for Zeiss AxioVert 200 & AxioObserver Inverted Microscopes

114mm x 75mm travel, flat top motorized scanning stages for inverted Zeiss AxioVert 200 & AxioObserver microscopes

### Outline Drawing



\*Dimensions from top surface of stage to mounting surface.

**PRIOR**  
Scientific



### Worldwide distribution

**Prior Scientific Ltd**  
Cambridge, UK

T. +44 (0) 1223 881711  
E. [uksales@prior.com](mailto:uksales@prior.com)

**Prior Scientific Inc**  
Rockland, MA, USA

T. +1 781-878-8442  
E. [info@prior.com](mailto:info@prior.com)

**Prior Scientific GmbH**  
Jena, Germany

T. +49 (0) 3641 675 650  
E. [jena@prior.com](mailto:jena@prior.com)

**Prior Scientific KK**  
Tokyo, Japan

T. +81-3-5652-8831  
E. [info-japan@prior.com](mailto:info-japan@prior.com)

## H117 ProScan™ Stages for Zeiss AxioVert 200 & AxioObserver Inverted Microscopes

114mm x 75mm travel, flat top motorized scanning stages for inverted Zeiss AxioVert 200 & AxioObserver microscopes

### Specifications

Performance	H117P2L2	H117PIL4	H117E2L2	H117EIL5
Uni-Directional Repeatability (average)*	0.2µm	0.2µm	0.2µm	0.2µm
Minimum Step Size	0.04µm	0.01µm	0.1µm	0.05µm
Maximum Speed	100mms <sup>-1</sup>	25mms <sup>-1</sup>	100mms <sup>-1</sup>	25mms <sup>-1</sup>
**Metric Accuracy (average)	0.06µm/mm	0.059µm/mm	0.057µm/mm	0.046µm/mm
Maximum Travel Range	114mmx75mm	114mmx75mm	114mmx75mm	114mmx75mm
Maximum Load	10kg	10kg	10kg	10kg
Squareness	30 Arc sec	30 Arc sec	30 Arc sec	30 Arc sec
Weight	5kg	5kg	5kg	5kg
Ball Screw Pitch	2mm	1mm	2mm	1mm
Motor Type	200 S.P.R***	400 S.P.R***	200 S.P.R***	400 S.P.R***
Encoders	No	No	0.1µm	0.05µm

\*Using a Prior ProScan™ controller with backlash correction enabled, all repeatability is uni-directional.

\*\* Requires the use of Prior ProScan™ Controller and are based on the Prior method of testing. Based on performance with IST enabled, and measured over the full travel range.

\*\*\*S.P.R: Full steps per revolution of motor.

### Controller Options



#### Patented Intelligent Scanning Technology (IST):

The ProScan™III controller and stage include as standard IST which significantly improves the metric accuracy of the ProScan™ stage.



#### Prior Interactive Control Center:

The PS3J100 local control center provides positional feedback and the ability to measure distances. The stage can be controlled either via the joystick or via fine individual X and Y control knobs.

### ProScan™III Ordering Information

Part Number	Description
H31XYZE	Encoded X, Y and Z axis control
H31XYZEF	Encoded X, Y and Z axis, filter wheel and shutter control

**PRIOR**  
Scientific



### Worldwide distribution

**Prior Scientific Ltd**  
Cambridge, UK

T. +44 (0) 1223 881711  
E. uksales@prior.com

**Prior Scientific Inc**  
Rockland, MA, USA

T. +1 781-878-8442  
E. info@prior.com

**Prior Scientific GmbH**  
Jena, Germany

T. +49 (0) 3641 675 650  
E. jena@prior.com

**Prior Scientific KK**  
Tokyo, Japan

T. +81-3-5652-8831  
E. info-japan@prior.com