

Phoenix™

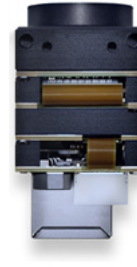
The World's Smallest Industrial PoE Camera



C-Mount Model



NF-Mount Model



Phoenix Models

28x28mm

Model	MP	Resolution	FPS	Sensor	Format	Pixel Size	Shutter	Lens Mount	Chroma	Interface
PHX020S*	20 MP	5472 x 3648 px	6 fps	Sony IMX183 CMOS	1"	2.40 µm	Rolling	C	Mono / Color	GigE Vision
PHX120S	12.3 MP	4096 x 3000 px	9.9 fps	Sony IMX304 CMOS	1.1"	3.45 µm	Global	C	Mono / Color	GigE Vision
PHX089S	8.9 MP	4096 x 2160 px	13.7 fps	Sony IMX267 CMOS	1"	3.45 µm	Global	C	Mono / Color	GigE Vision

24x24mm

Model	MP	Resolution	FPS	Sensor	Format	Pixel Size	Shutter	Lens Mount	Chroma	Interface
PHX050S	5.0 MP	2448 x 2048 px	24 fps	Sony IMX264 CMOS	2/3"	3.45 µm	Global	C / NF	Mono / Color	GigE Vision
PHX032S	3.2 MP	2048 x 1536 px	38 fps	Sony IMX265 CMOS	1/1.8"	3.45 µm	Global	C / NF	Mono / Color	GigE Vision
PHX023S	2.3 MP	1920 x 1200 px	52 fps	Sony IMX392 CMOS	1/2.3"	3.45 µm	Global	C / NF	Mono / Color	GigE Vision
PHX016S	1.6 MP	1440 x 1080 px	77 fps	Sony IMX273 CMOS	1/2.9"	3.45 µm	Global	CS / NF	Mono / Color	GigE Vision
PHX004S	0.4 MP	728 x 544 px	291 fps	Sony IMX287 CMOS	1/2.9"	6.9 µm	Global	CS / NF	Mono / Color	GigE Vision

*Coming Soon

Specifications

Interface, Power, and Size Information		Imaging Properties	
Digital Interface	1000BASE-T RJ45, PoE	Image Buffer	128 MB
GPIO Interface	8 pin JST connector	Image Processing	Gain, gamma, black level, white balance, LUT, CCM, pixel correction, hue, saturation, color space conversion
Opto-isolated I/O ports	1 input, 1 output	Pixel Formats	Mono8/10/12/16, Bayer8/10/12/16, RGB8, YUV422, YUV411
Non-isolated I/O ports	2 bi-directional	Image Modes	Horizontal and vertical binning, decimation, ROI, horizontal and vertical flip
Dimension*	24x24x27.35 mm / 28x28x28.4 mm	ADC	12 bit
Lens Mount	C, NF	Gain Range	0 dB to 48 dB analog and digital
Weight	30 g / 39 g	Exposure Time	30 µs to 10 s
Power Requirement	PoE (12-24V) IEEE 802.3af	Camera Features	
Power Consumption	2.5W via V_ext; ~3.1W via PoE	User Sets	1 default and 2 custom
Standard and Certifications		File System Size	16 MB
Standard	GigE Vision v2.0	Chunk Data	Timestamp, frame counter, offset X/Y, width/height, exposure time, gain, black level, line status, sequencer set
Compliance	CE, FCC, RoHS, REACH, WEEE	Event Data	Acquisition start/end, exposure start/end, line rise/fall, error
Storage Temperature	-30 to 60C	Counter & Timer	2 counters and 2 timers
Operating Temperature	-10 to 55 C ambient	Sequencer	Exposure time, gain
Humidity	Operating: 20% - 80%, relative, non-condensing	Synchronization	Software trigger, hardware trigger, PTP (IEEE 1588)
Storage	20% - 95%, relative, non-condensing		
Warranty	3 years		

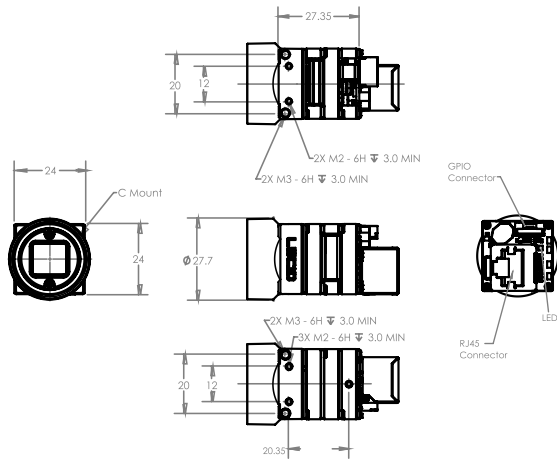
*Not including lens barrel or interface ports



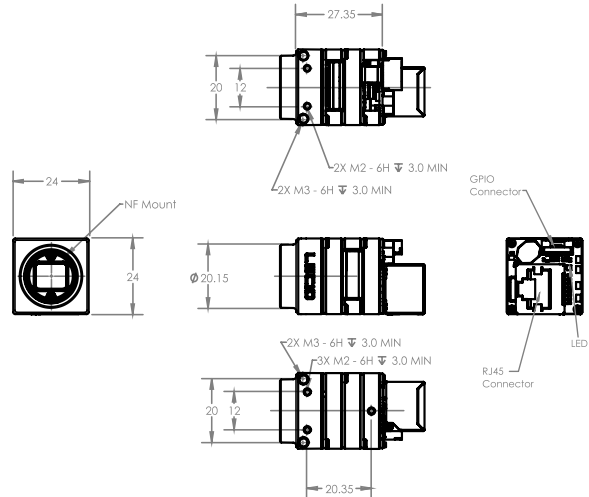
sales@thinklucid.com
www.thinklucid.com

© 2018 LUCID Vision Labs, Incorporated. All rights reserved. Phoenix, Triton, ArenaView and other names and marks appearing on the products herein are either registered trademarks or trademarks of Lucid Vision Labs, Inc. and/or its subsidiaries. Subject to change without notice. Ver 1.3 7/17/2018

C-Mount 24x24 mm Model



NF-Mount 24x24 mm Model



C-Mount 28x28 mm Model

