

**230-000**

## **2.5 mm f/5.6 Surveillance Lens**

**Resolve Optics Ltd.** ([www.resolveoptics.com](http://www.resolveoptics.com)) has developed a new 2.5mm f/5.6 covert surveillance lens, that achieves a wide field of view with minimal distortion by utilising micro optical elements in an innovative design.

With a diameter of just 4.5 to 7.2 mm and measuring 41 mm from the tip of the lens to the camera mount the new lens can be used in a wide variety of covert situations. The conical shape of the lens makes covert installations easy. The small size and high performance of the covert surveillance lens means that it can also be placed in a keyhole or positioned behind a 1mm pinhole and still give excellent results.

Providing high throughput across the spectral waveband 400-700 nm the covert surveillance lens produces clear sharp images (400 TV lines) with very little distortion over its 94-degree field of view. The camera mount on the covert surveillance lens is an M6.25 x 0.5 thread that will fit a ¼ inch (7mm diameter) CCD remote camera head. Mount adapters can be provided for customer specified cameras.



Resolve Optics Ltd. is a highly knowledgeable, dynamic company focused upon innovative design, and manufacture of production quantities of lenses and optical products on time to strict quality and target price guidelines. For further information and a technical datasheet on the covert surveillance lens please contact Resolve Optics Ltd.

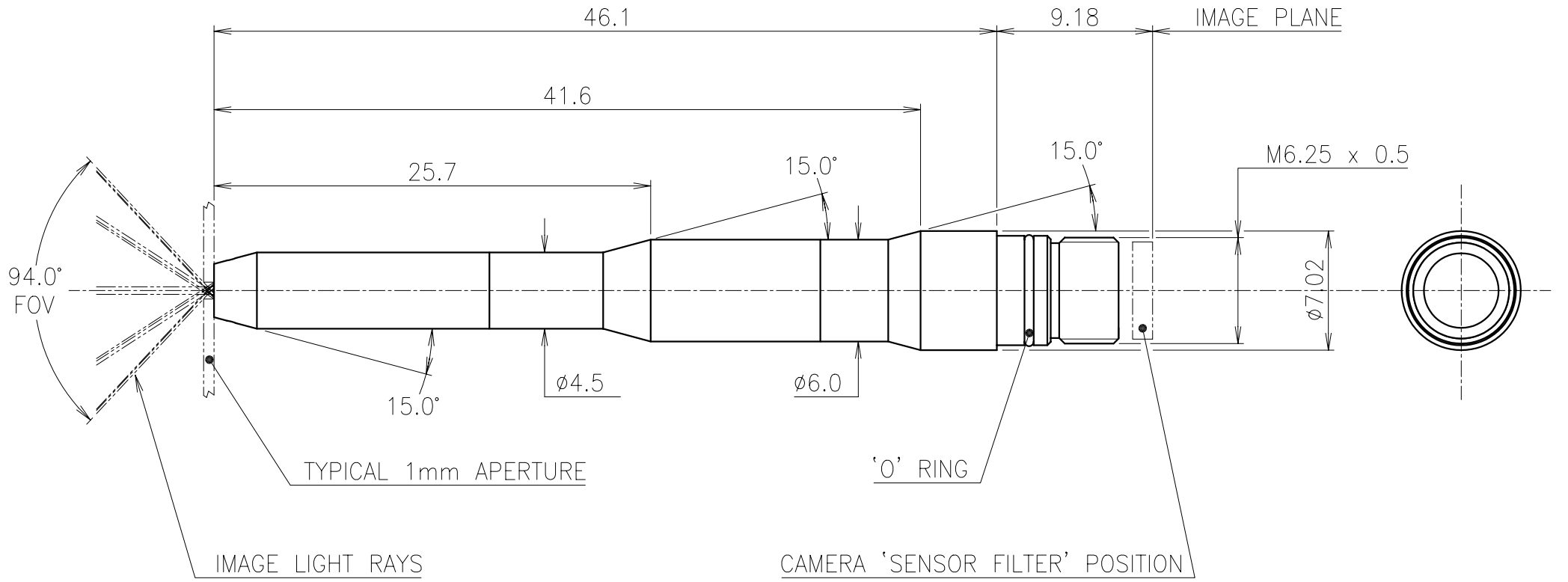
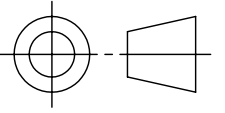
## 230-000

### 2.5 mm f/5.6 Surveillance Lens

Focal Length Range	2.5 mm
Format	1/4" CCD
Image Size	3.2 x 2.4 mm - Diagonal 4 mm
Field of View	74° horizontal / 94° into the format corners
Aperture	f/5.6 (no iris provided)
Vignetting in format corners	approx. 50% at full aperture
Depth of Focus	100 mm from front of lens to infinity
Spectral Waveband	Designed for 400 to 700 nm
Coating	Standard anti-reflection coating
Image Resolution	400 TV lines
Geometric Distortion	F-Theta type – image position linear with field angle instead of as tangent of angle (typical for large field angle lenses)
Mechanical Dimensions	See drawing 230-000
Focusing and Mounting Thread	To be reduced to minimum size EG: 7 mm
Back Focus	5 mm
Temperature Ranges	Operating -10° C to 50° C Storage -10° C to 60° C
Engraving and Lens Name	TBA
Specification and drawings are subject to change without notice	

**Resolve Optics Ltd**  
Asheridge Road, Chesham,  
Bucks HP5 2PT. England

T: +44 (0) 1494 777107  
F: +44 (0) 1494 775201  
E: sales@resolveoptics.com  
W: www.resolveoptics.com



IF IN DOUBT—PLEASE ASK



SURFACE FINISH, Ra, TO BE 3.2 µm MAX. UNLESS OTHERWISE STATED					
TITLE: SURVEILLANCE LENS		ALL DIMENSIONS IN mm. UNLESS OTHERWISE STATED.		MOD & DATE:	
MATERIAL: ALUMINIUM ALLOY		FINISH BLACK		GENERAL TOLERANCE: ±0.1, ±0°30'	
PART:		SCALE: 3 : 1	DATE: 27-10-03	DRAWN: MCM	CHECKED: -
				DRAWING N <sup>o</sup> . 230-000	
				ISSUE: 2	