

## FARO® Xtreme Series

### 2-Axis Scan Head

#### Best 2-Axis Scan Head for Smaller Spots

FARO's Packaged 2-Axis Scan Heads provide XY deflection capability for all laser applications. Heads consist of two galvanometers, two mirrors, two servo amplifiers, and communication electronics. The synchronized actions of two turning mirrors direct the laser beam to specific locations on a target material surface. Adapters are available for a wide range of f-theta focusing lenses and laser collimators.

The FARO Xtreme Series Packaged 2-Axis Scan Head provides superior high-speed performance for demanding laser applications. Available in 10 mm, 15 mm or 20 mm apertures, and for various wavelengths, the Xtreme integrates the XY2-100 digital interface with PC-based and stand-alone hardware and software packages for marking and micromachining. Analog input versions are also available. Featuring FARO's galvanometers with Optical Position Detector technology, the Xtreme scan heads are a perfect building block for any laser beam positioning system. Innovative galvo rotor and mirror mount designs reduce resonances, allowing faster scanning.



#### Features and Benefits

- XY2-100 digital input signals
- Available apertures: 10 mm, 15 mm or 20 mm
- Optional 20 mm beam shutter
- Wide selection of scan lenses
- Cost effective

#### Applications

- Marking
- Solar/Thin Film Scribing
- Micromachining
- Textile Cutting and Embossing
- Welding with Metal or Plastic
- Laser Process Development

## Xtreme Series 2-Axis Scan Head

### Optical

Scan angle	±22.5°
Resolution	16 µrad
Linearity	99.5%
Repeatability	20 µrad
Gain drift	< 70 ppm/°C
Offset drift	15 µrad

### Dynamic

Step response (1% of full scale, 99% settled)	
Xtreme with 10 mm aperture	400 µs
Xtreme with 15 mm aperture	600 µs
Xtreme with 20 mm aperture	650 µs

### Power Supply

Voltage (max volt ±18 volts)	±15 volts
Current (RMS)	±3 Amps
Peak	± 10A

### Control Interface

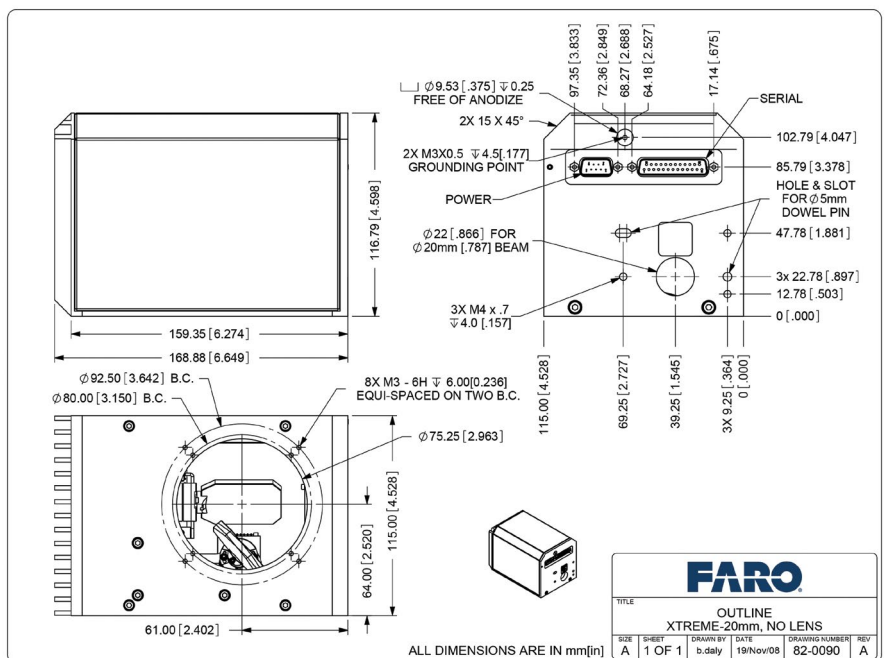
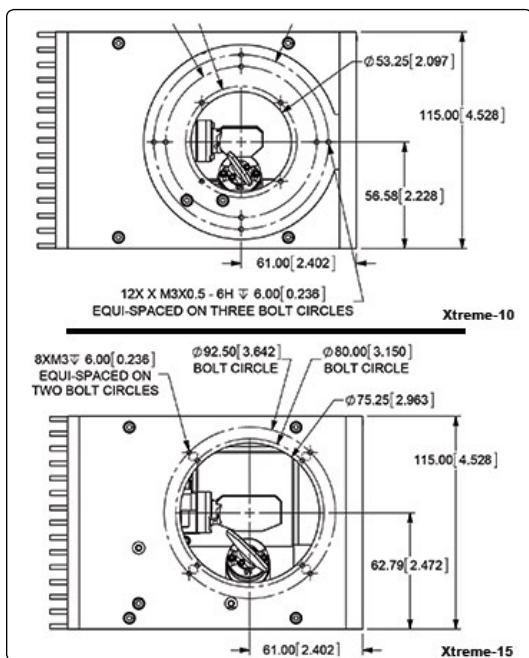
Digital	XY2-100
Analog (volts)	±5, ±10

### Environmental

Operating temperature	0° - 40°C
Storage temperature	-10° - 60°C
Humidity (non-condensing)	≤ 80%

### Mechanical

Weight	1.8 kg
--------	--------



For more information, call 603.893.6200 or visit [www.faro.com](http://www.faro.com)  
 FARO Technologies, Inc. | 250 Technology Park | Lake Mary, FL 32746

