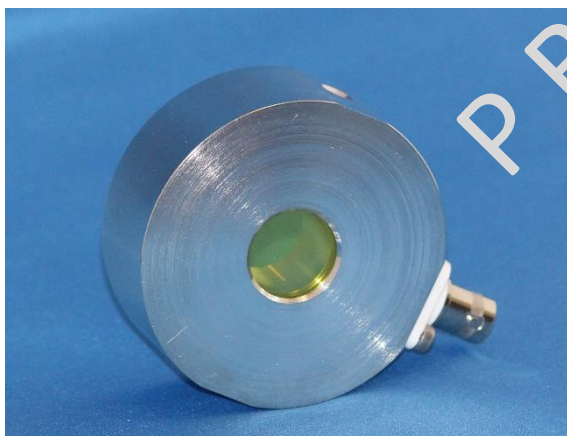
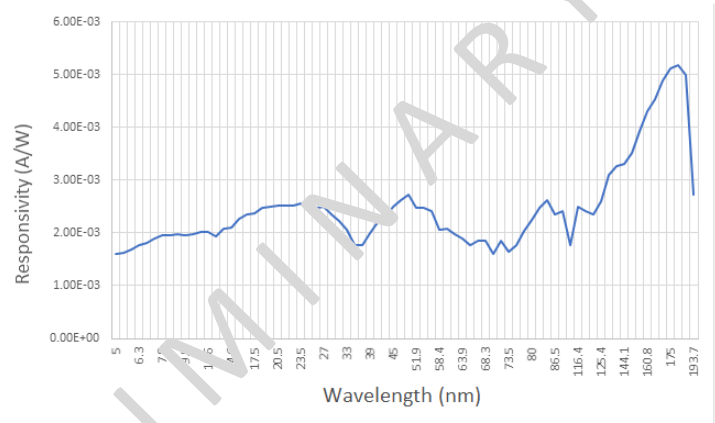




New NIST Traceable Energy Probe from 5 nm to 200 nm.

STI introduces our new calibration standard, model XUV-18, with NIST traceability. Designed for OEM, Research and laboratory applications to measure energy in the X-ray and Extreme UV. The standard clear aperture is 18 mm with options to 32 mm. Systems may be supplied with vacuum compatibility to 1×10^{-9} torr. Complete systems are offered with a highly stable digital amplifier with user selectable or auto gain up to 5 decades. Systems come standard with USB 2, WiFi, Bluetooth interfaces as well as BNC connections.

- NIST Traceable
- High Transmission (>95% at 193 nm)
- No Microphonics
- Low Noise
- Minimal Long-term Drift
- Polarization Insensitive
- High Damage Threshold to 500 mJ/cm²
- Full Range of Input Apertures
- Wide Wavelength Range 1 nm to 410 nm*
- Extremely Linear
- Wide Field of View
- 1 Billion + Pulses



Star Tech Instruments

US Manufacturers of UV Laser Instrumentation since 1989

Probe XUV-18X

Aperture:

18, 25, 35 mm (standard, other sizes on request)

Wavelength Range:

1-200 nm (see chart)

Electrical Specifications:

Input:

1 nA to 9 mA peak

Analog output:

0.05-5 VDC

Dimensions:

2.5 x 1.0"

Amplifier UWF2-200

Interface:

Wifi, Bluetooth, USB2, BNC

Gain:

4 Decades

0-400 μ A

0.40 μ A

0-4 μ A

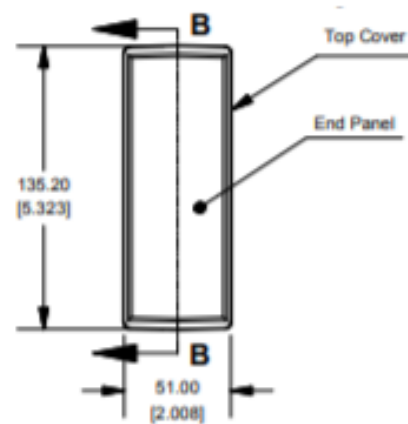
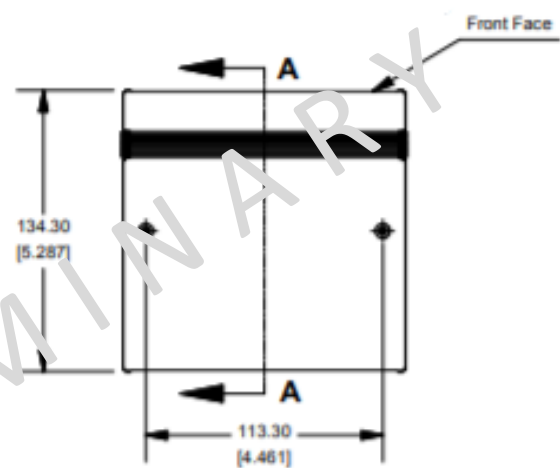
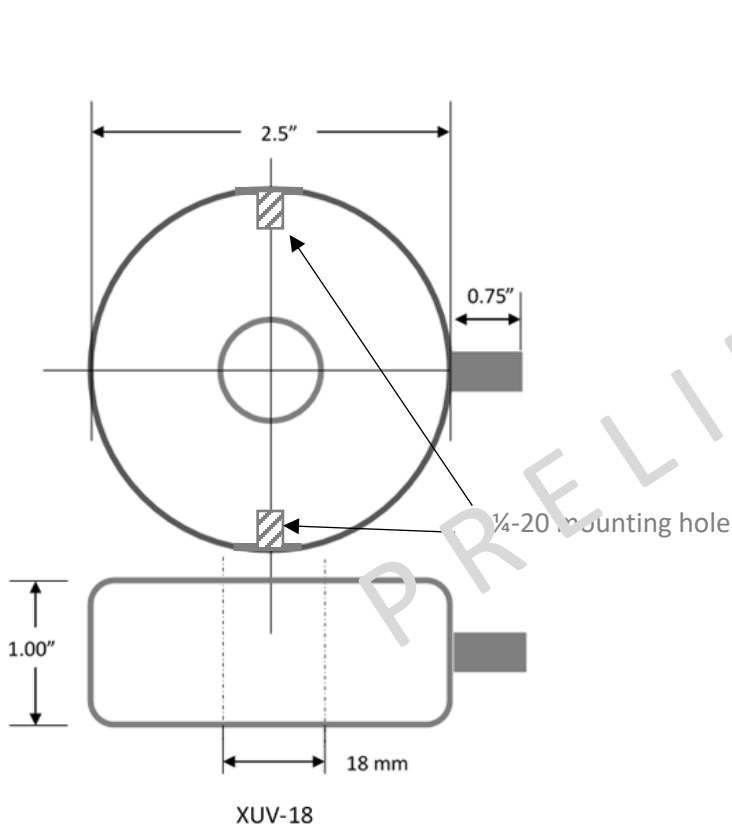
0-400 nA

Power requirements:

110 v AC

Dimensions:

5.28 x 5.4 x 1.96"



UWF2-200



Star Tech Instruments

US Manufacturers of UV Laser Instrumentation since 1989