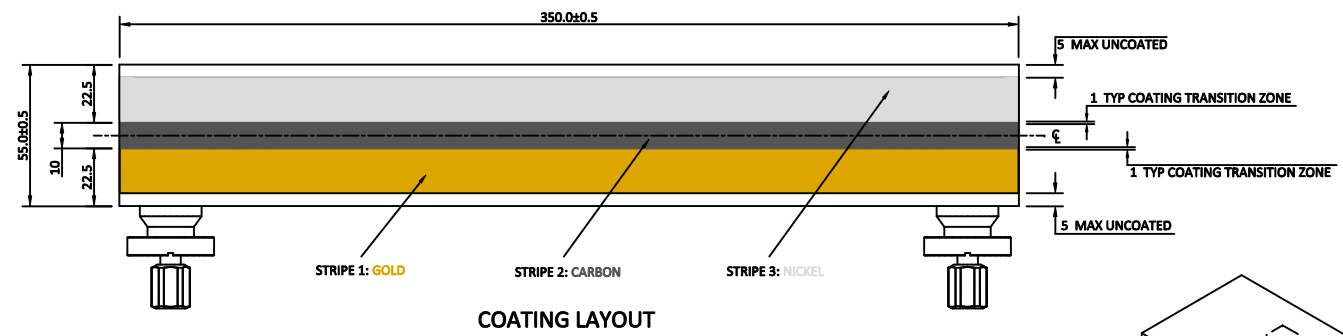
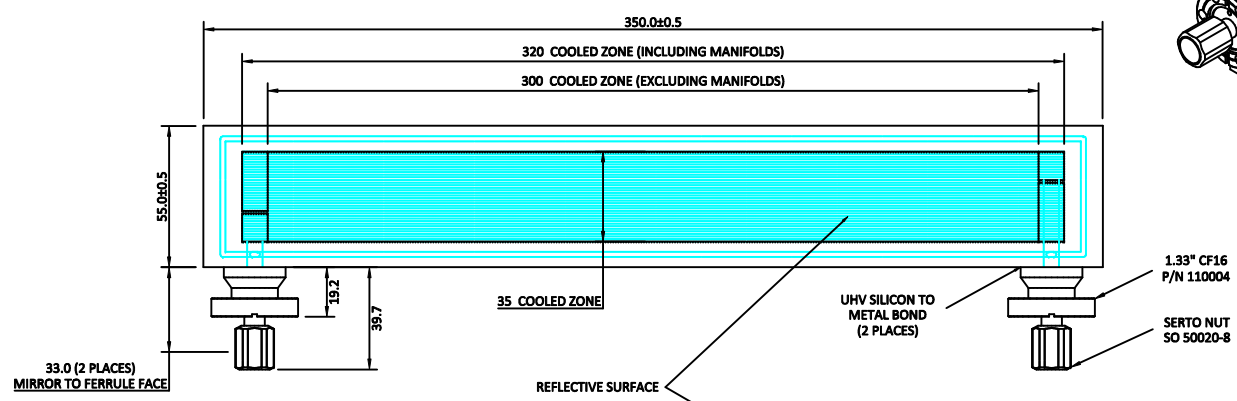


REVISIONS			
REV	DESCRIPTION	DATE	APPROVED

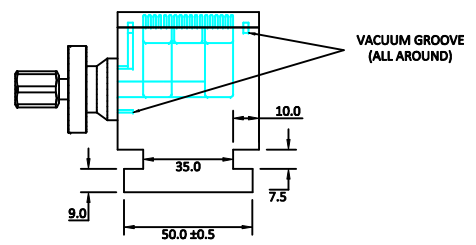
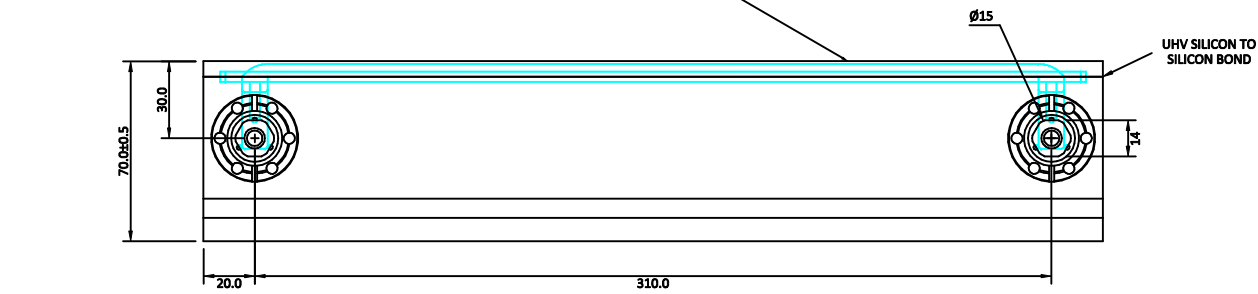
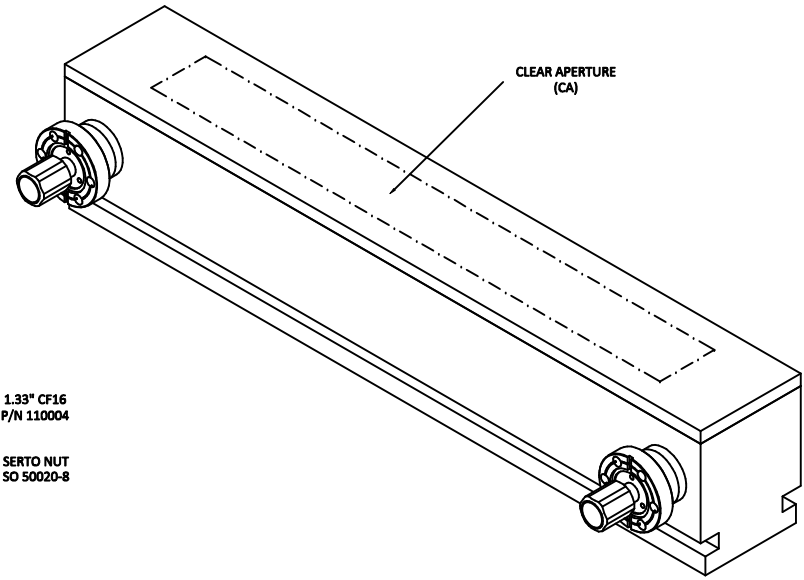
NOTES: UNLESS OTHERWISE SPECIFIED
1. APPROXIMATELY 0.5mm BEVELS



COATING LAYOUT



REFLECTIVE SURFACE



- NOTES:
1. TANGENTIAL SLOPE ERROR: 0.2µr RMS IN CA WITH > 30km RADIUS REMOVED AT 2mm RESOLUTION.
 2. SAGITTAL SLOPE ERROR: 2µr RMS IN CA WITH > 3km RADIUS REMOVED AT 2mm RESOLUTION.
 3. ROUGHNESS: 3 ANGSTROMS RMS MEASURED AT SEVEN POINTS ALONG LENGTH AT CENTERLINE IN WIDTH DIRECTION, 1µm PIXEL SPACING WITH 3X AVERAGING YIELDING 2.8µm RESOLUTION ON 250µm X 250µm AREA (40X OBJECTIVE).
 4. QUALITY: 0.5 SCRATCHES PER SQUARE CM OVER CA.
 5. COATING: 300 ± 30 ANGSTROMS OF GOLD ON 100 ANGSTROMS OF PLATINUM (STRIPE 1), 300 ± 30 ANGSTROMS OF CARBON DIRECTLY ON SILICON SUBSTRATE (STRIPE 2), 300 ± 30 ANGSTROMS OF NICKEL ON 10 ANGSTROMS OF PLATINUM (STRIPE 3) AS NOTED ABOVE.
 6. PROOF PRESSURE: 145 PSI (10 BAR) HELD FOR 30 MINUTES.
 7. HELIUM LEAK RATE: (UHV TO VACUUM GUARD) 2 X 10⁻⁹ STD. ATM CC/Sec OF He, AFTER 30 MINUTES.
 8. HELIUM LEAK RATE: (VACUUM GUARD TO COOLING CIRCUIT) 2 X 10⁻⁷ STD. ATM CC/Sec OF He, AFTER 30 MINUTES.
 9. FLOW TEST WITH PRESSURE DROP UP TO 60 PSI (4.1 BAR) AND RECORD FLOW RATE VS. PRESSURE DROP.
 10. MAX BAKE OUT TEMPERATURE NOT TO EXCEED 150°C, RAMP RATES < 1°C/Min

HEX PARAMETERS:
3 PASS HEAT EXCHANGER (6 CHANNELS/PASS)
18 CHANNELS (5mm TALL X 1mm WIDE)
17 LANDS (1mm WIDE)
1mm THICK HOT WALL

CLEAR APERTURE (CA):
280mm X 30mm, CENTERED

UNLESS OTHERWISE SPECIFIED	
1. DIMENSIONS ARE IN mm AND BRACKETED ARE IN INCHES	CONTR P13-116
2. DRAWING INTERPRETATION PER LATEST ANSI STANDARD	DWNL A, YI
3. SURFACE TEXTURE: SYMBOLS PER ANSI Y14.36 REQUIREMENTS PER ANSI B46.1	DATE 12/17/13
4. TOLERANCES ON: DECIMALS: .X ± 0.5mm	CHK T. TONNESSEN
	DATE 12/17/13
	DGN
	MATL SILICON - MAIN METAL - FITTINGS
	STRUCT
	APVD T. TONNESSEN
	DATE 12/17/13
	SIZE E
	SCALE NONE
	DO NOT SCALE PRINT

InSync, Inc.
An Optical Manufacturing Company

InSync, Inc.
2511C Broadbent Plwy, NE
Albuquerque, New Mexico 87107

350 mm LONG INTERNALLY COOLED SILICON PLANE MIRROR M2, VLSPGM BEAMLINER
NIST AT NSLS II

INTERFACE DRAWING

SIZE E CAGE CODE 02602 DWG NO. **P13-116**

SCALE NONE SHEET 1 OF 1