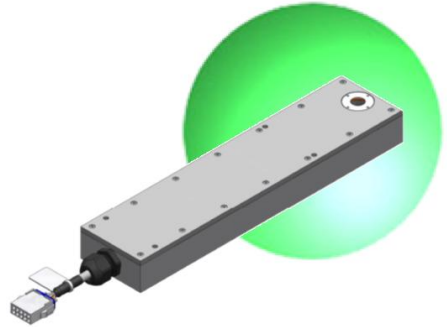


WTR Series OEM Modules

A laser module with active temperature control, beam-forming optics and drive electronics, integrated into an environmental enclosure for most demanding industrial conditions.



Features:

- Power stability over Wide Temperature Range (WTR)
- Large input voltage acceptance range
- Alternative latch or momentary trigger modes
- Two auxiliary 12 VDC outputs
- Shock/vibration-tested enclosure
- Single- or Dual-Beam Configurations

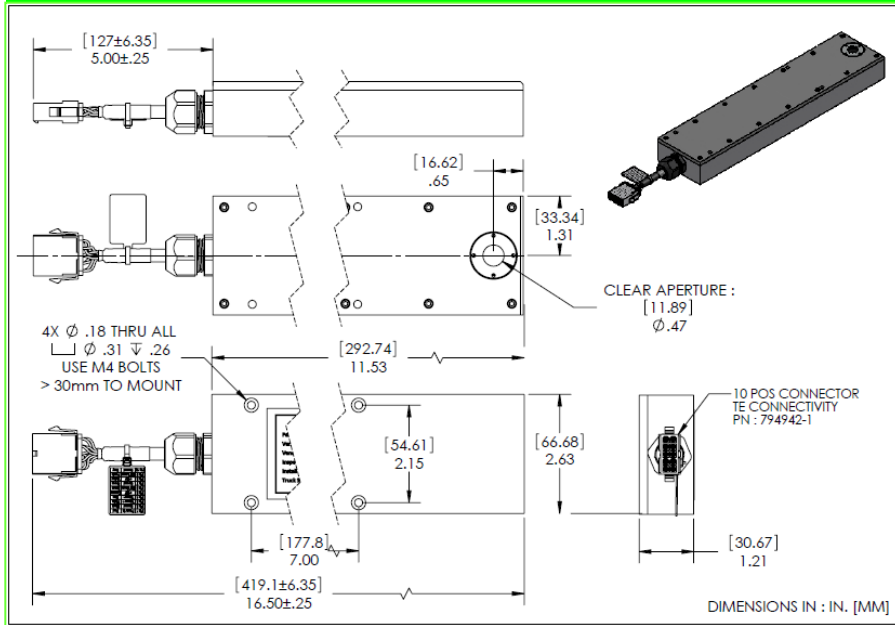
Optical Specifications ¹	WTR G Series	WTR R Series
Operating Mode	CW	
Output Center Wavelength	532 nm	639 nm
Output Power	Up to 50 mW	Up to 30 mW
Ambient Temperature Range	-29 to +43 °C	
Power Stability over 2 Hours in +/- 2°C Ambient	< +/- 10 % p-p	
Beam-Forming Optics	Dot , Line or Cross-Hair in Single-Beam; or Dot , Line, or Dot-Line Combination in the Dual-Beam Configuration	
Residual 1064nm Leakage	< 0.5 %	N/A

Electrical Input Requirements		
Input Voltage	10 – 50 V _{DC}	
Electrical Power Consumption @ 25°C Ambient Temperature	< 24 W	< 6 W

Other Specifications		
Safety Compliance ¹	Tested to CDRH Class 2, 3A, or 3B dependent on configuration	
Warm-up Time	< 2 minutes	
Warranty	1 year	

1. This product is sold as an OEM laser componentt and does not fully comply with 21 CFR 1040 and IEC 60825-1 : 1993 as applicable.

Mechanical Specifications



Notes

Snake Creek Lasers offers a limited warranty.

To assure stable operation, the base plate of the WTR Module must be thermally attached onto a larger heat sink or alternatively subjected to forced airflow. Failures due to inadequate thermal management will void the warranty. Please refer to Snake Creek Lasers' Warranty Statement / Return Policy for details.

For assistance in any integration issues, please contact our experienced Applications Team at sales@snakecreeklasers.com

Class IIIa <5mW

Class IIIb <500 mW



LASER RADIATION
 AVOID DIRECT EYE EXPOSURE
 Maximum Output < 5 mW
 Laser Wavelength 852 nm
 CLASS IIIa LASER PRODUCT



LASER RADIATION
 AVOID DIRECT EYE EXPOSURE
 Maximum Output < 500 mW
 Laser Wavelength 852 nm
 CLASS IIIb LASER PRODUCT



26741 State Road 267, Suite 2
 Friendsville, PA 18818
 Telephone: 570-553-1120
 Fax: 570-553-1139
www.snakecreeklasers.com

This product is sold as an OEM laser component and does not fully comply with 21 CFR 1040 and IEC 60825-1 : 1993 as applicable.